

### DESIGNED AND ENGINEERED FOR PRECISION

TMX Power Chucks feature the quality and precision associated with European and US manufacturing, TMX Power Chucks are direct, drop-in replacements for all major machine brands including Okuma®, Mazak®, Haas®, Hyundai®, Doosan® and many more. All TMX Power Chucks are backed by a No Hassle, 2-Year Warranty. TMX also offers a full line of off the shelf accessories and custom chucks designs capability.

- All Steel Body
- 2 Year Quality and Performance Warranty
- ISO Certified
- Direct replacements for ALL major brands
- Guaranteed to maintain exceptional accuracy

#### Interchangeable Top Tooling

- 1.5mm x 60° Serrations for chuck diameters up to 18" and 3mm x 60° Serrations for 21" and 32" chucks

#### Durable

- Heat treatment is performed to alloy steel along with an improved lubrication system to obtain high accuracy, strength and durability.



#### High Gripping Force

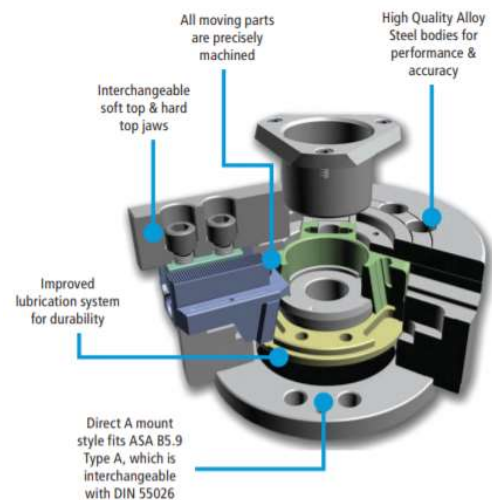
- By increasing dynamic gripping force, work efficiency and safety have been greatly improved

#### High Speed

- Strong gripping force, safety and performance are realized by optimal design resulting in higher rotational speeds.

#### Lightweight

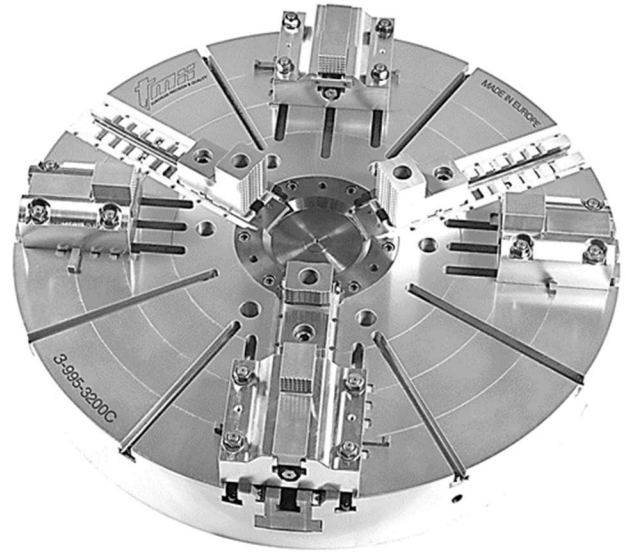
- Equipment load has been lowered by weight reduction, increasing efficiency



## CAPABILITIES

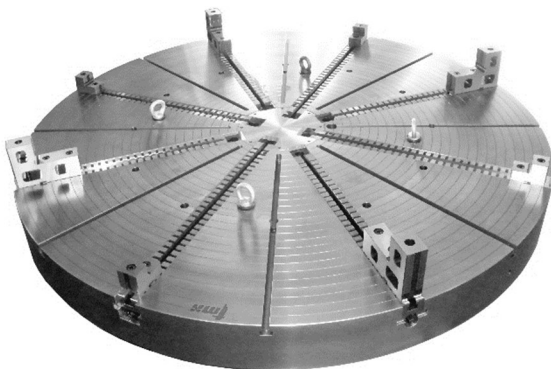
### Standard Offering

- Direct Replacement for OE Brands
- Kitagawa® B200series, BB200series, N-Type,
- Samchully® HS series, MH Series, Howa®,
- AutoStrong® N200 Series etc.
- Standard through hole and Mega Bore Chucks
- 2-Jaw, 3-Jaw, 4-Jaw, 6-Jaw Chucks
- Combination Chucks for special applications



### Custom Chucks

- TMX specific design according to the customer's needs.
- Jaws and clamping solution designed according to the application.
- External and internal dimension according to customer needs.



## DROP-IN OEM REPLACEMENT

TMX offers a no-hassle, direct drop-in replacements chucks for all machine tools on the market.

To ensure optimal compatibility our designs follow industry standards when it comes to aspects like chuck body diameter spindle fit, jaw serrations. While we push the envelope with other features like; gripping force, large trough-holes and gripping ranges to provide our customers with **not just a replacement but an upgrade.**

### Value Proposition That Delivers

- Higher overall gripping force.
- Matching or upgraded through-hole.
- Wide gripping ranges
- High Max RPM
- Light weight
- Attractive price
- Quick delivery
- Great support

### With TMX Power Chucks Expect

- Maximized range of workpiece handling that does not limit the machine tool capabilities.
- Profit boosting increased production output.
- Higher running parameters.
- Larger / increased depths of cut via the cutting tool.
- Better safety to operator – through strong, consistent grip.

### Why choose TMX Power Chucks vs. Kitagawa<sup>™</sup>, AutoStrong<sup>®</sup> or Samchully<sup>™</sup>?

- Lifetime support from TMX
- 2-year warranty
- Drop-in interchangeability
- Only high-quality steel bodies
- Higher overall gripping force
- Unbeatable performance to price ratio
- USA Inventory
- Technical Support

## READY FOR YOUR TMX POWER CHUCK?

Our experts will close the gap between your workholding problem and the optimal solution. They will seamlessly integrate TMX Power Chuck into your machine tool.

### Easy to work with and knowledgeable.

- We will ask about your machine tool make and model.
- Confirm the spindle type and size.
- Ask you about your draw tube thread.
- Ask key question about the application.
- Investigate if the current size and type of the chuck fits your needs.
- Provide recommendations based on the above.

**We can ship your TMX Power Chuck ready to mount in a little as 24 hours with express draw nut treading service.\***

\*For most popular draw tube threads



### ABOUT TMX

Since 1973, TMX has been the leading global provider of TMX branded, engineered and precise workholding to the industrial marketplace where precision, accuracy and performance matter.

- TMX is a brand of Toolmex Industrial Solutions © 2020  
We have been in business for more than 45 years.
- We are a Workholding company and an Industrial Supplier.
- Our core competencies are in rotational and prismatic workholding.
- We serve customers in all major market segments; Aerospace, Automotive, Oil and Gas, Agriculture, Earth Moving, Medical, Rail, etc.
- We give excellent technical and customer support prior to and after the sale.
- Our wide assortment is stocked in the US and Mexico.



1975



1985



2003



2011



2017



2019



2021

Distributed by: