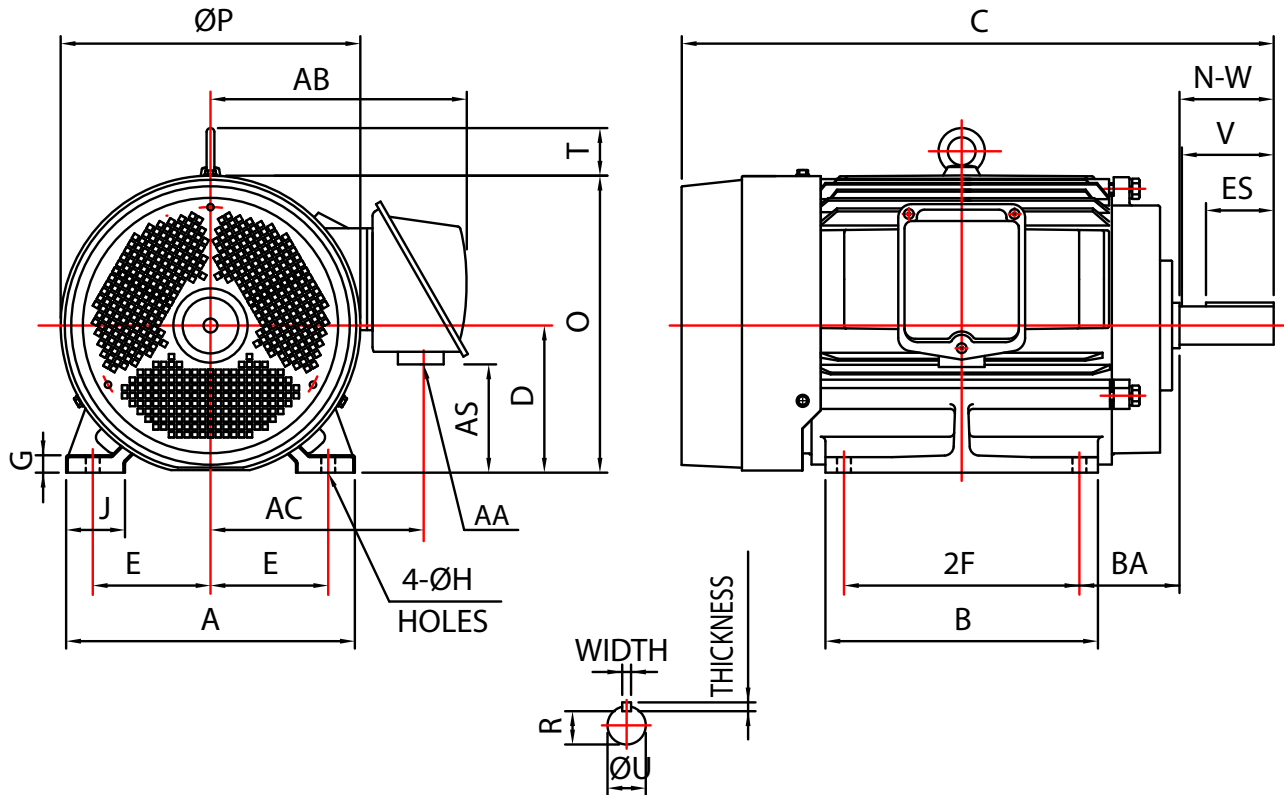


OUTPUT	POLE	SYN. SPEED	VOLT.	FREQ	TIME RATING	MODEL	FRAME NO.
15HP	2	3600	230/460	60	CONT.	TEFC	254T
15HP	4	1800					
7.5HP	6	1200					



### MOUNTING

E	2F	H	BA	A	B	C	D	G	J	P	AA	AB	AC
5.00	8.25	0.53	4.25	12.12	9.84	23.4	6.25	0.71	2.36	12.8	NPT1 ¼	10.8	8.82

AS	O+T	KEY		KEYSEAT	SHAFT EXTENSION			BEARING NO.		APPROX WEIGHT	
		WIDTH	THICKNESS	ES	R	N-W	U	V	D.E		O.D.E
4.72	14.6	0.375	0.375	2.875	1.416	4.0	1.625	3.90	6310ZZ	6208ZZ	320 lb

- NOTE: 1. TOLERANCE OF SHAFT END DIAMETER U: +0.000,-0.001  
 2. TOLERANCE OF SHAFT CENTER HEIGHT D: +0.000,-0.06  
 3. DIMENSION R TOLERANCE: +0.000,-0.015  
 4. DIMENSION V IS LENGTH OF STRAIGHT PART OF SHAFT.  
 5. CLASS INSULATION.