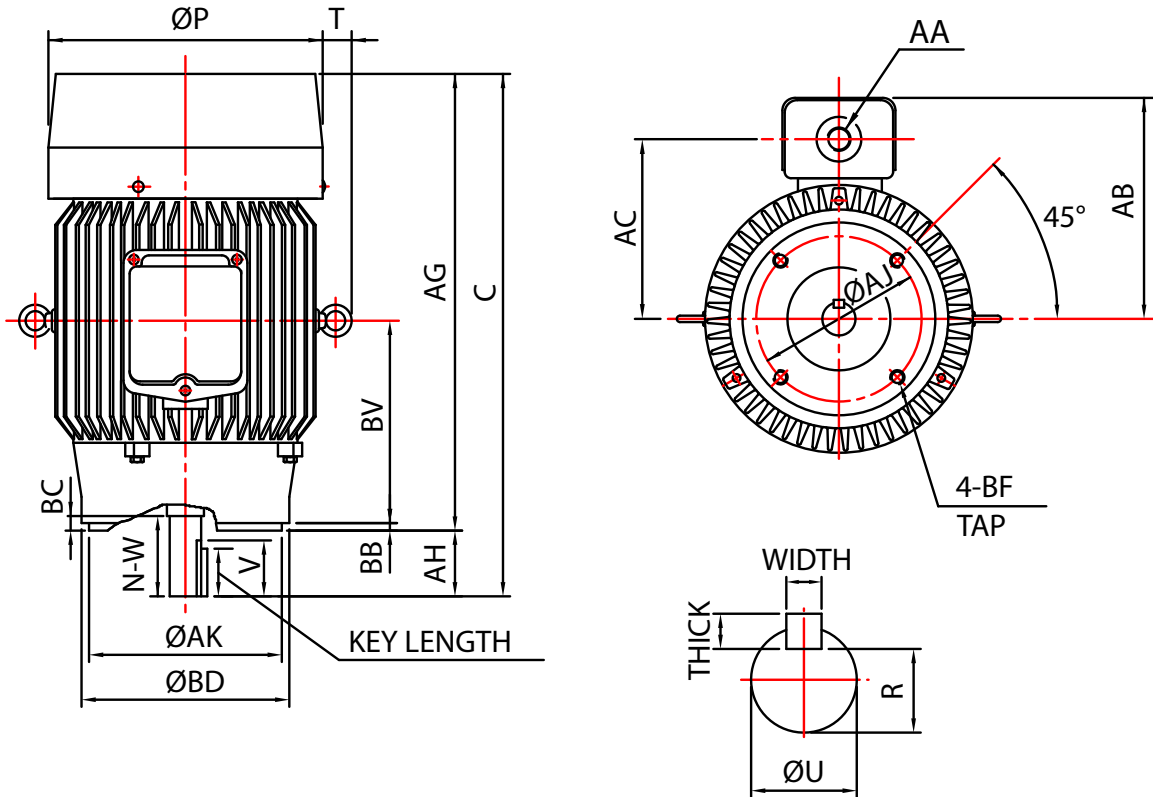


OUTPUT	POLE	SYN. SPEED	VOLT.	FREQ	TIME RATING	MODEL	FRAME NO.
20HP	4	1800	230/460	60	CONT.	TEFC	256TC



FLANGE						BV	C	P	T	AG	AH	AC
AJ	AK	BB	BC	BD	BF							
7.250	8.50	0.25	0.25	10.00	1/2-13	9.24	25.10	12.8	2.00	21.35	3.75	8.86

SHAFT END			SHAFT END			KEYSEAT R	TERMINAL BOX		APPROX WEIGHT
N-W	U	V	WIDTH	THICK	LENGTH		AA	AB	
4.00	1.625	3.90	0.375	0.375	2.875	1.416	NPT1 1/4	10.83	330 lb

NOTE: 1. TOLERANCE ON DIMENSION AK: +0.000.-0.003 inch
 2. TOLERANCE ON DIMENSION U: +0.000.-0.001 inch
 3. TOLERANCE OF DIMENSION R: +0.000.-0.015 inch
 4. CLASS INSULATION.

BEARING NO.

D.E.	O.D.E.
6310ZZ	6208ZZ