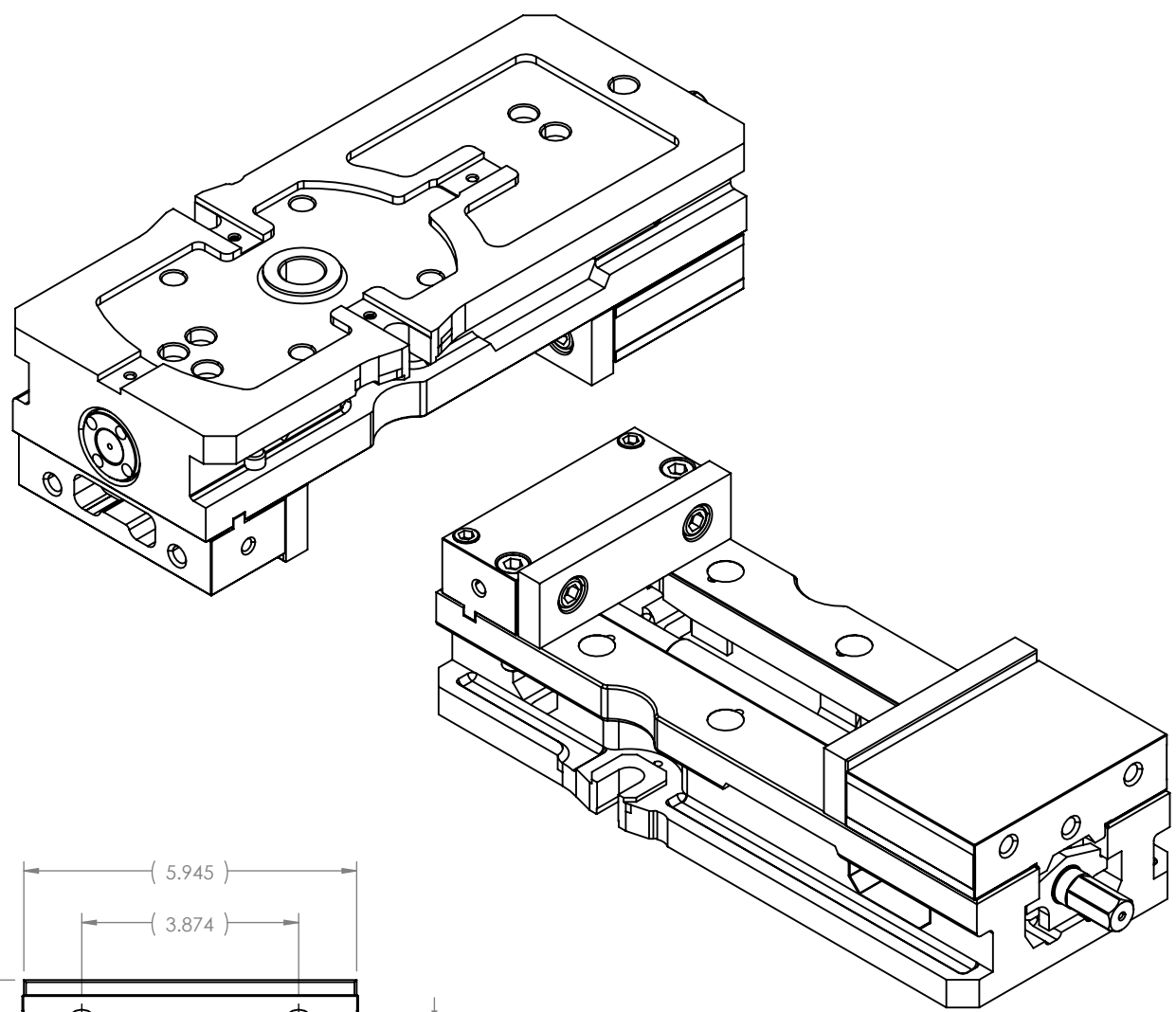
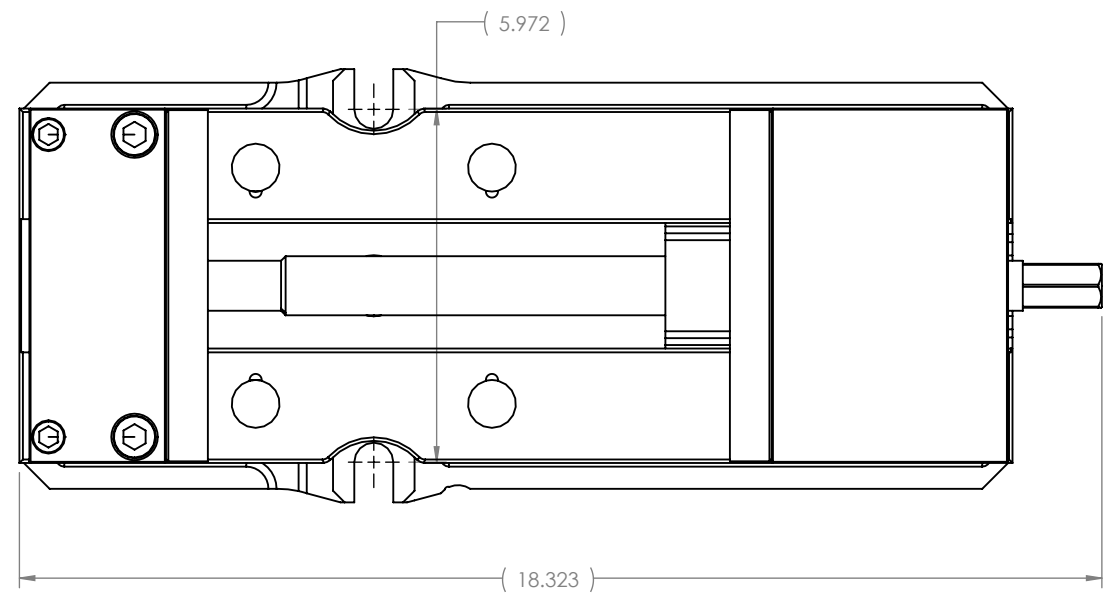


8 7 6 5 4 3 2 1

D

D

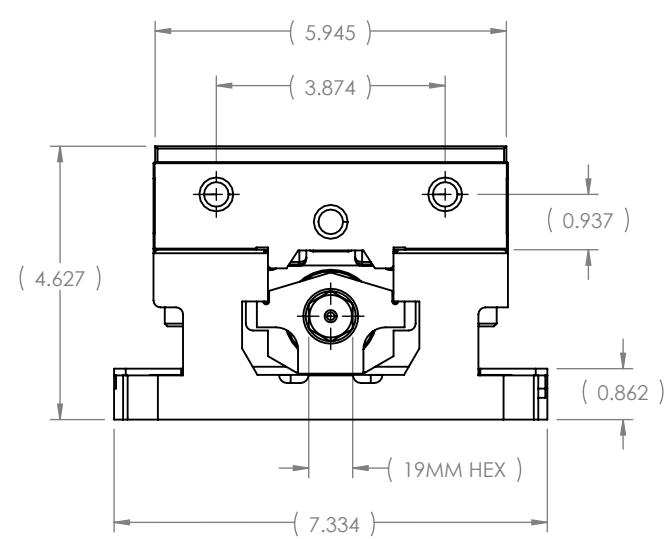
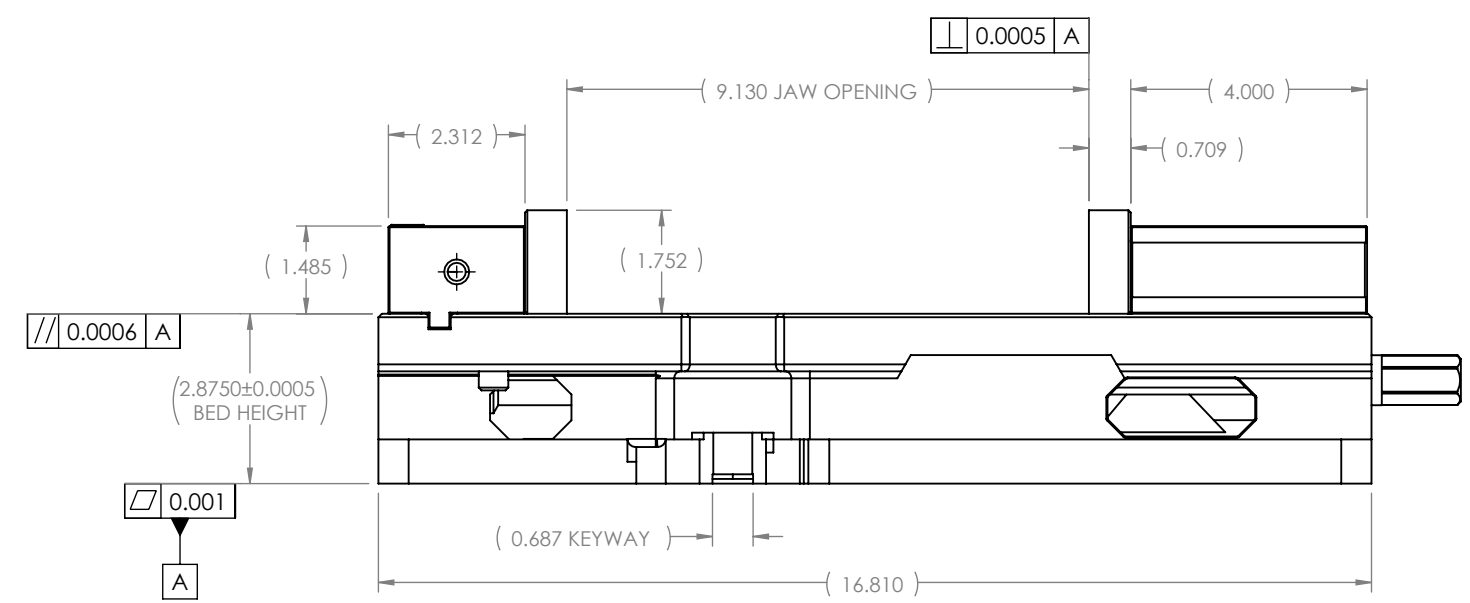


C

C

B

B



- NOTES:
- MATERIAL:
BODY: DUCTILE CAST IRON
JAWS: HARDENED STEEL
 - HARNDNESS:
BODY: 45 HRC
JAWS: 50-55 HRC
 - WEIGHT: 68 LBS

REVISIONS			
REV.	DESCRIPTION	DATE	APPROVED
A	INITIAL RELEASE	03-14-2024	T.T.

MATERIAL: SEE NOTES
 HARDNESS: SEE NOTES FINISH:
 CONTACT INFORMATION:
 Toll Free 855-869-2425
 Fax 508-653-5110
 www.tmxtools.com
 34 TALBOT ROAD
 NORTH BOROUGH, MA 01532 USA
 INTERPRET GEOMETRIC
 TOLERANCING PER: Y1999-2001
 THIRD ANGLE PROJECTION

tmx™
 SOLE PROPERTY OF
 TOOLMEX INDUSTRIAL SOLUTIONS

TITLE
 6" MACHINE VISE, 9.13" JAW OPENING

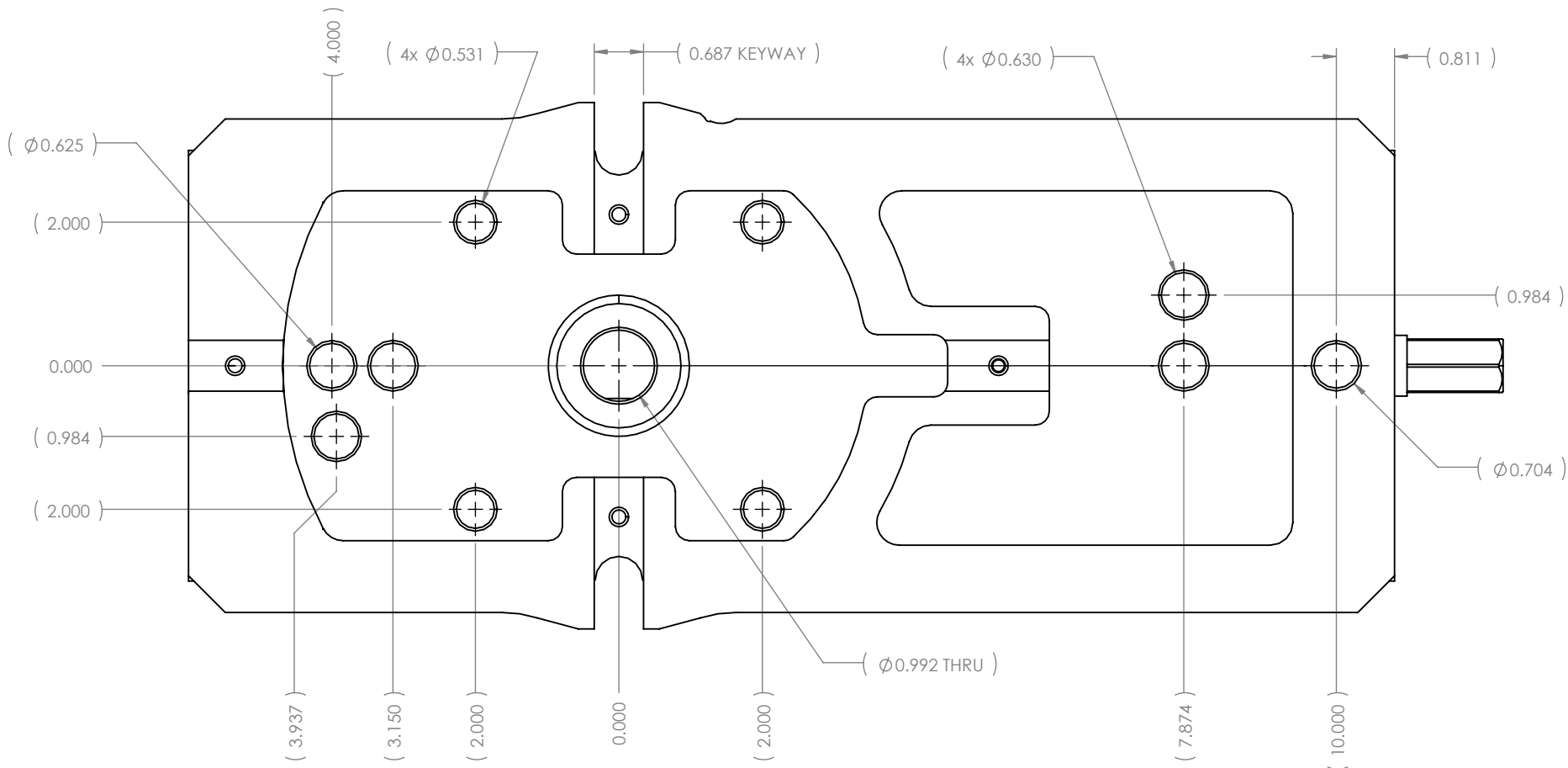
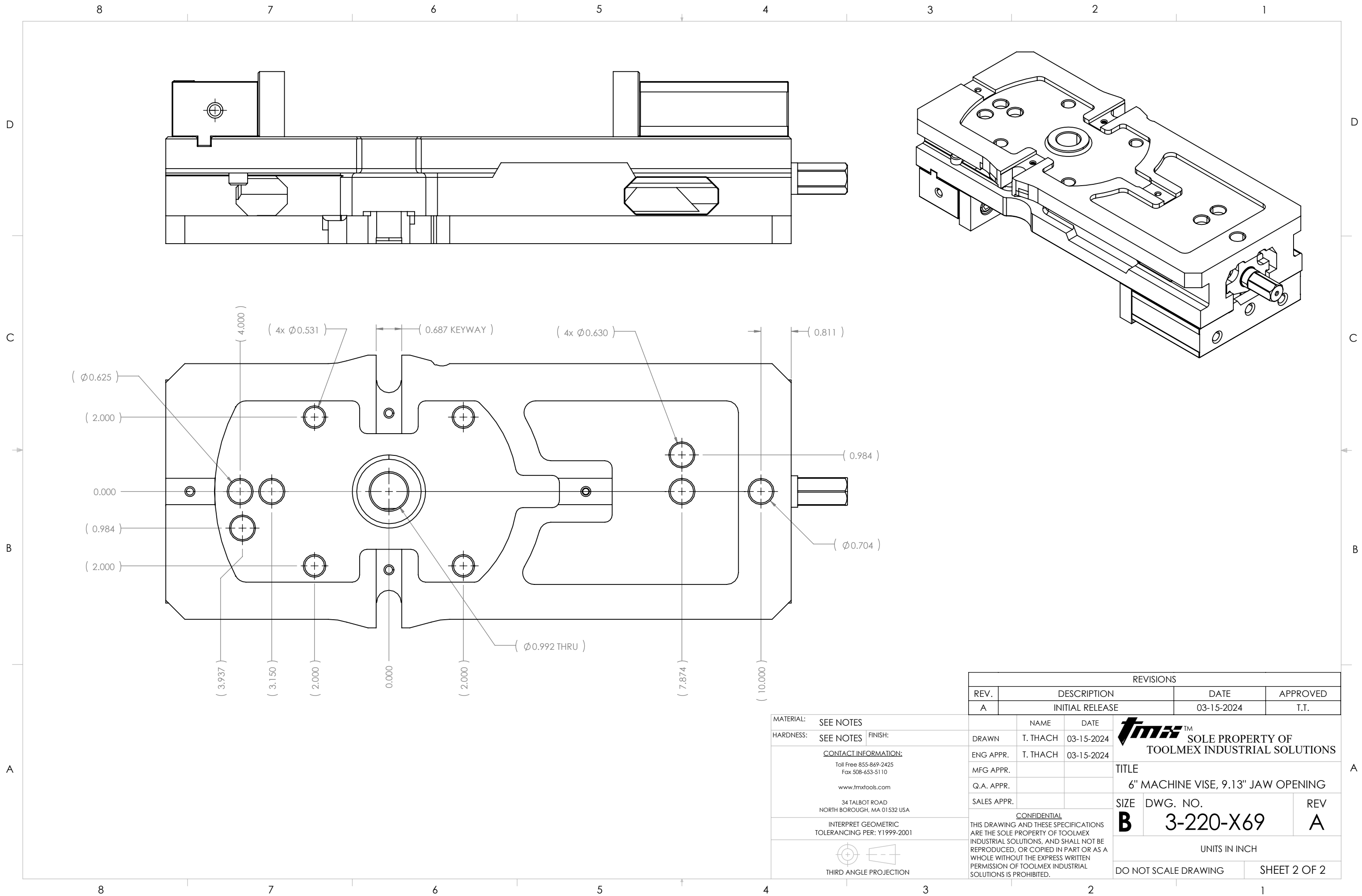
SIZE	DWG. NO.	REV
B	3-220-X69	A

UNITS IN INCH
 DO NOT SCALE DRAWING SHEET 1 OF 2


8 7 6 5 4 3 2 1

A

A



REVISIONS			
REV.	DESCRIPTION	DATE	APPROVED
A	INITIAL RELEASE	03-15-2024	T.T.

MATERIAL: SEE NOTES
HARDNESS: SEE NOTES FINISH:
CONTACT INFORMATION:
Toll Free 855-869-2425
Fax 508-653-5110
www.tmxtools.com
34 TALBOT ROAD
NORTH BOROUGH, MA 01532 USA
INTERPRET GEOMETRIC
TOLERANCING PER: Y1999-2001

THIRD ANGLE PROJECTION

	NAME	DATE
DRAWN	T. THACH	03-15-2024
ENG APPR.	T. THACH	03-15-2024
MFG APPR.		
Q.A. APPR.		
SALES APPR.		

CONFIDENTIAL
THIS DRAWING AND THESE SPECIFICATIONS ARE THE SOLE PROPERTY OF TOOLMEX INDUSTRIAL SOLUTIONS, AND SHALL NOT BE REPRODUCED, OR COPIED IN PART OR AS A WHOLE WITHOUT THE EXPRESS WRITTEN PERMISSION OF TOOLMEX INDUSTRIAL SOLUTIONS IS PROHIBITED.

tmx™
SOLE PROPERTY OF
TOOLMEX INDUSTRIAL SOLUTIONS

TITLE
6" MACHINE VISE, 9.13" JAW OPENING

SIZE	DWG. NO.	REV
B	3-220-X69	A

UNITS IN INCH
DO NOT SCALE DRAWING SHEET 2 OF 2