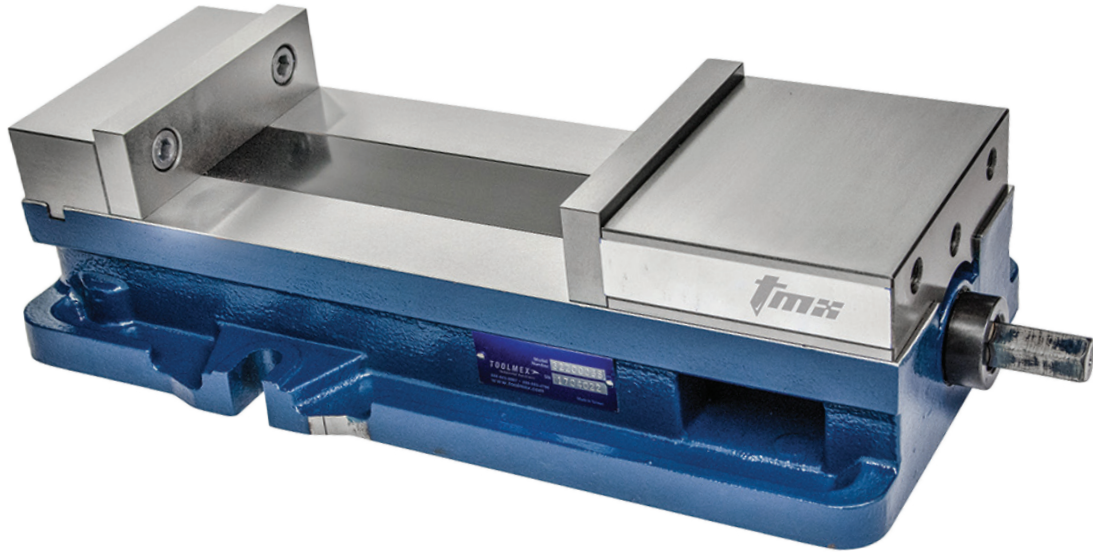


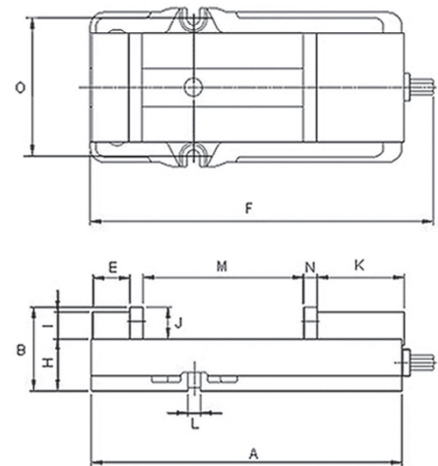
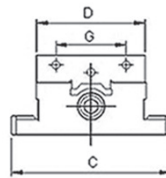
TMX[™] MILLING MACHINE VISES



Ultra-Precision, Power Clamping

For all of your CNC Milling Machines needs whether heavy milling, boring, tapping, drilling, or grinding, TMX Vises deliver the same proven accuracy every time. Improving on industry standards, TMX Vises are ultra precision in flatness, parallelism and verticality.

- 7.5", 8.9" or 10" Jaw Openings
- 10 Year Warranty
- Body made from high quality ductile iron hardened to 45RC
- Sealed bearing system increases the life of the vise
- Close tolerance bed heights for excellent accuracy
- Anti-lift mechanism keeps the workpiece from lifting
- Chip cover for lead screw protection



Part Number	A	B	C	D	E	F	G	H Bed Height +/- 0.0005	I	J	K	L	Jaw Opening M	N	O	Wt lbs	Max Clamping Force lbs
3-220-006	17.008	4.627	9.252	5.984	2.047	19.094	3.875	2.875	1.496	1.752	4.843	0.688	7.559	0.709	7.64	79	8,200
3-220-0068	17.205	4.627	8.75	5.984	2.047	18.937	3.875	2.875	1.496	1.752	4.843	0.688	8.898	0.709	7.64	80	9,840
3-220-0081	21.85	5.515	11.614	7.992	2.283	23.031	4.724	3.310	1.969	2.205	6.181	0.813	10.433	0.953	10	150	11,600

*All dimensions in inches unless otherwise indicated; dimensions and weights are approximate

EUROPEAN PRECISION & QUALITY

visit www.tmxtools.com or call 844-TMX-TOOL (844-869-8665)