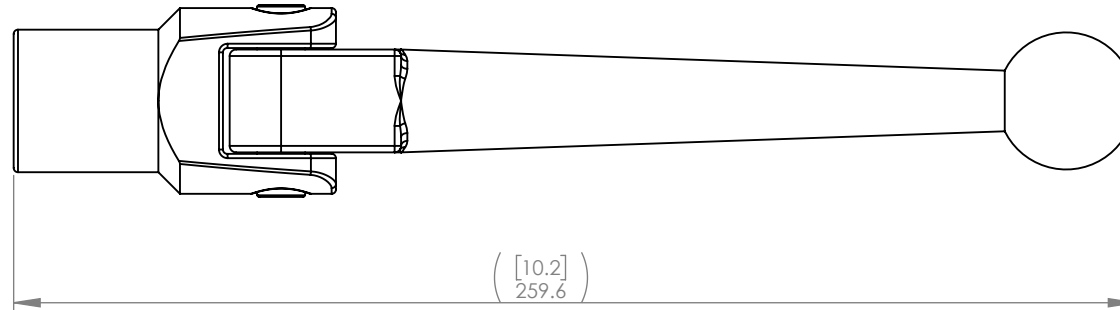
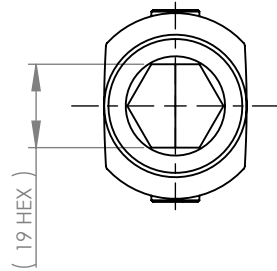
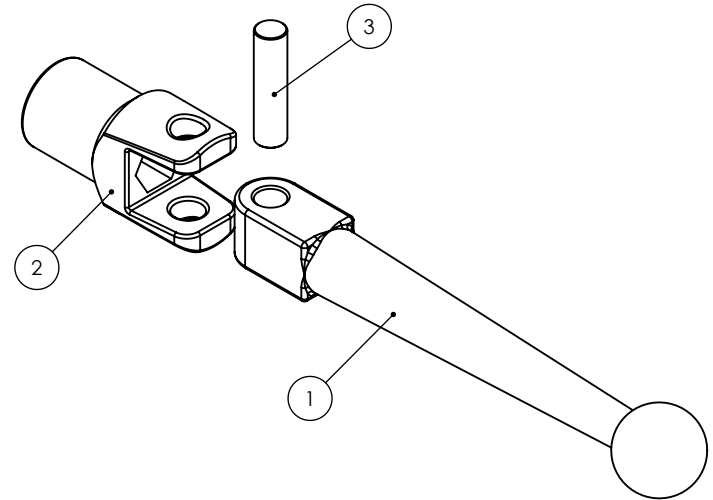



ITEM NO.	DESCRIPTION	QTY.
1	ARM	1
2	SOCKET	1
3	PIN	1



REVISIONS			
REV.	DESCRIPTION	DATE	APPROVED
A	INITIAL RELEASE	03-20-2024	T.T.

MATERIAL:	
HARDNESS:	FINISH:
<u>CONTACT INFORMATION:</u> Toll Free 855-869-2425 Fax 508-653-5110 www.tmxtools.com 34 TALBOT ROAD NORTH BOROUGH, MA 01532 USA	
INTERPRET GEOMETRIC TOLERANCING PER: Y1999-2001	
 THIRD ANGLE PROJECTION	

	NAME	DATE
DRAWN	T. THACH	03-20-2024
ENG APPR.		
MFG APPR.		
Q.A. APPR.		
SALES APPR.		

tmx™
SOLE PROPERTY OF
TOOLMEX INDUSTRIAL SOLUTIONS

TITLE
HANDLE

SIZE	DWG. NO.	REV
A	3-220-6017	A
UNITS IN MILLIMETER		
DO NOT SCALE DRAWING		SHEET 1 OF 1

CONFIDENTIAL

THIS DRAWING AND THESE SPECIFICATIONS ARE THE SOLE PROPERTY OF TOOLMEX INDUSTRIAL SOLUTIONS, AND SHALL NOT BE REPRODUCED, OR COPIED IN PART OR AS A WHOLE WITHOUT THE EXPRESS WRITTEN PERMISSION OF TOOLMEX INDUSTRIAL SOLUTIONS IS PROHIBITED.