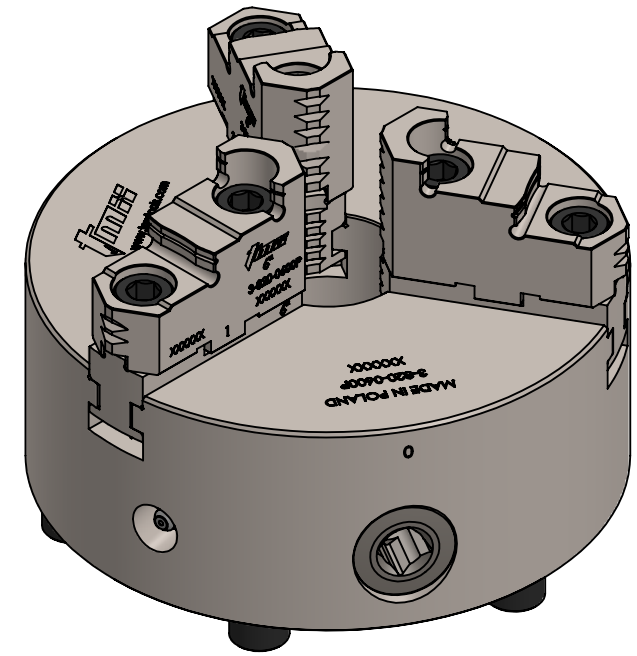


| ITEM NO. | PART NUMBER | DESCRIPTION                      | QTY. |
|----------|-------------|----------------------------------|------|
| 1        | JAWS SET    | JAWS SET, 6IN, 3-JAW 3-PIECE SET | 3    |
| 2        | BODY-820    | CHUCK BODY, 6IN                  | 1    |
| 3        | 3-886-306P  | PINION FOR 6IN SCROLL CHUCK      | 3    |
| 4        | FITTING     | GREASE FITTING, M6x1.0           | 1    |
| 5        | 3-887-306P  | SCROLL PLATE FOR 6IN CHUCK       | 1    |
| 6        | 3-888-906P  | PINION SCREW FOR 5IN&6IN CHUCK   | 3    |
| 7        | PLATE       | COVER PLATE                      | 1    |
| 8        | SCREW       | SHCS, M8x1.25X16                 | 3    |
| 9        | 3-897-10025 | MOUNTING BOLT, 10x1.5, 20mm      | 6    |

**-CLICK ON LINK BELOW FOR REPLACEMENT PARTS-  
WWW.TOOLMEX.COM**

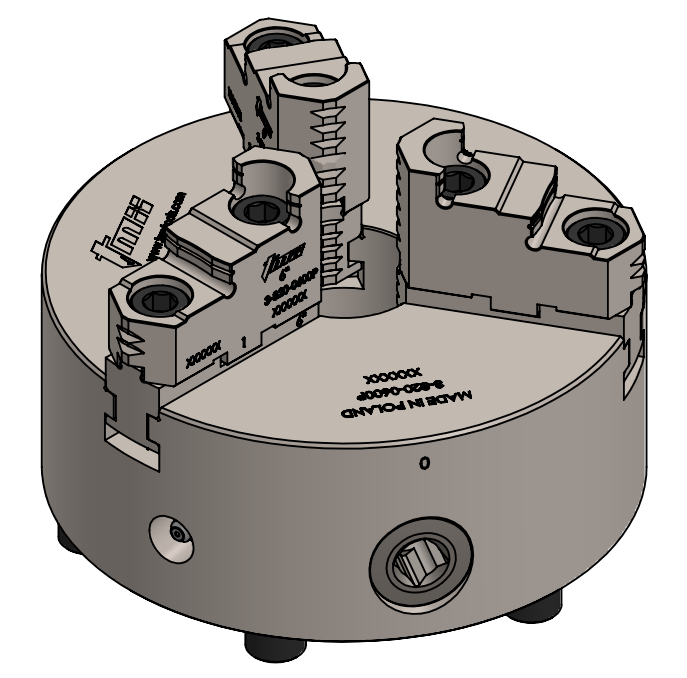
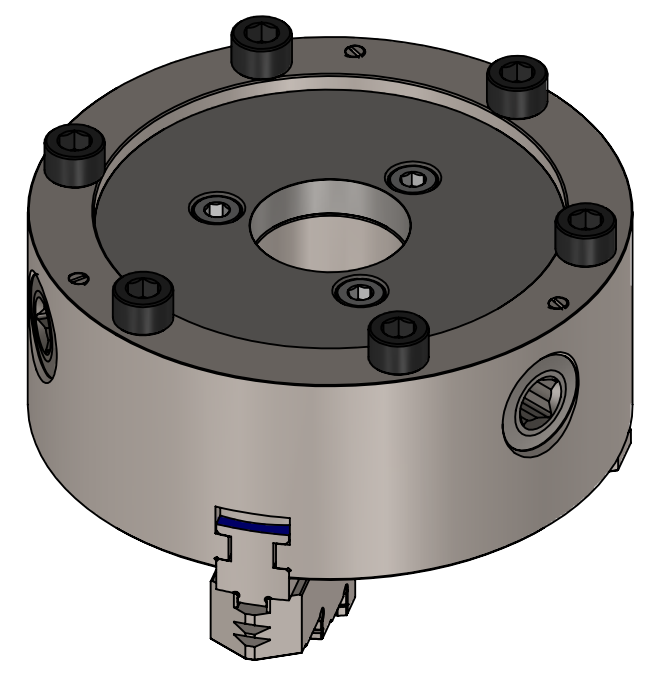
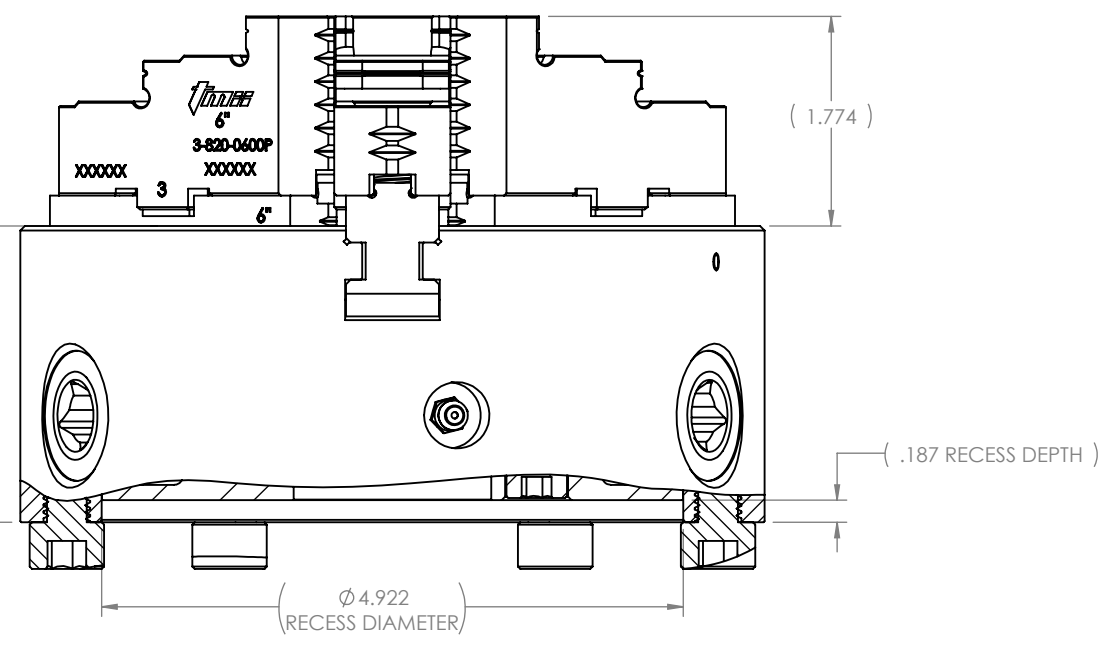
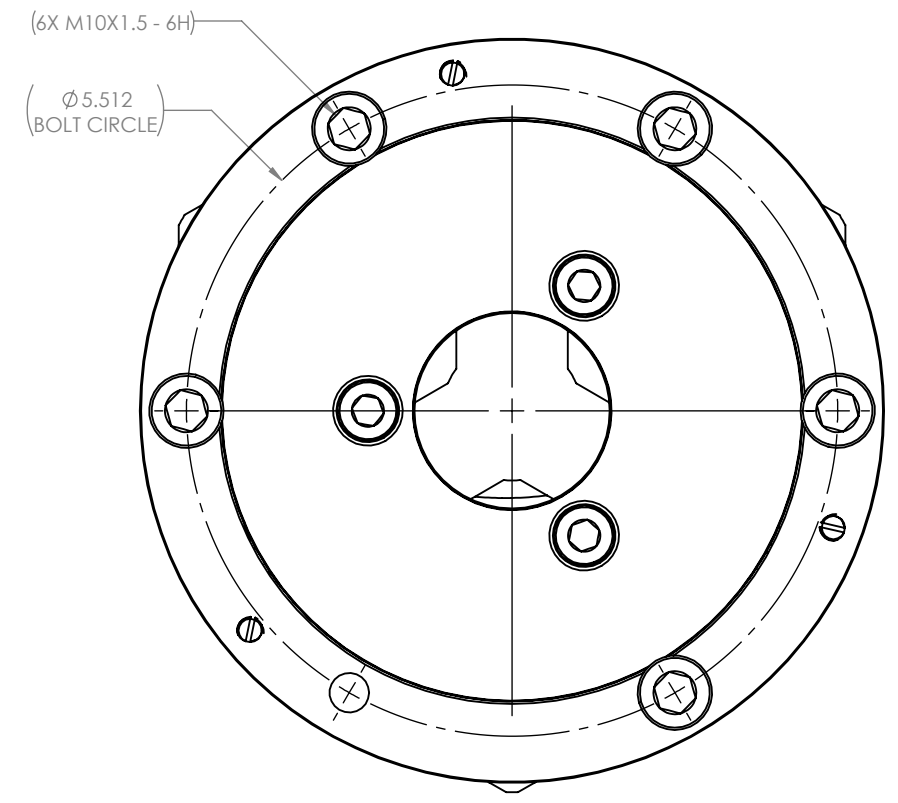
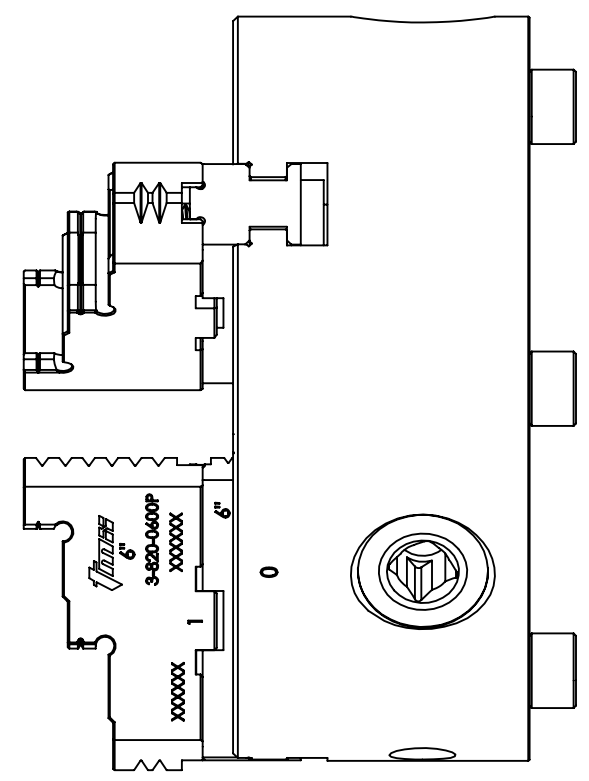
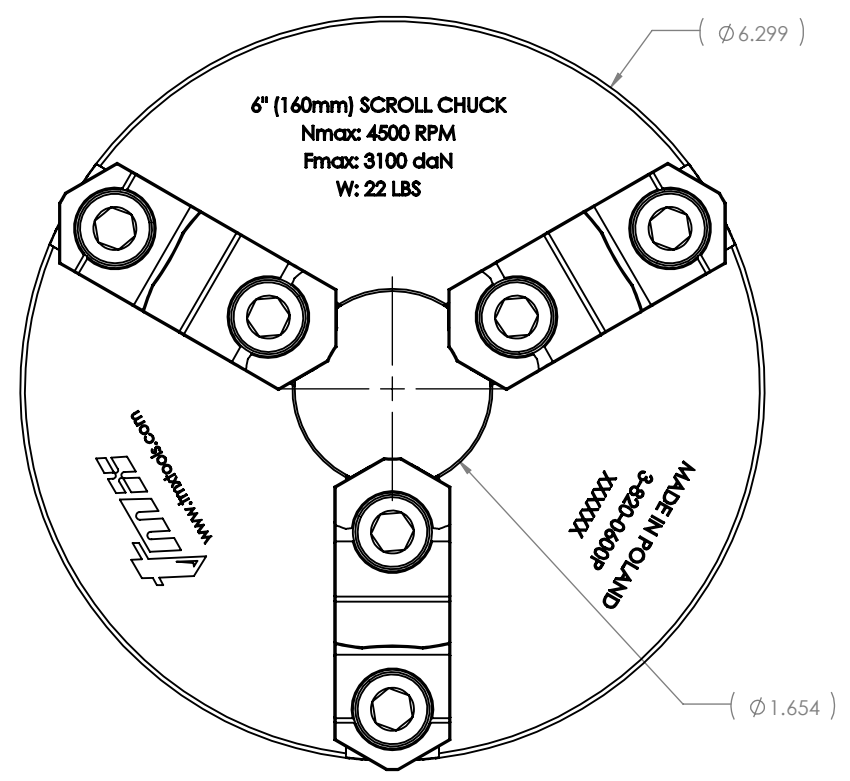


SELLING UNIT: EACH  
 CHUCK TYPE: SCROLL  
 CHUCK SIZE: 6IN  
 BODY MATERIAL: FORGED STEEL  
 NUMBER OF JAWS: 3  
 JAW TYPE: 2 PIECES  
 WEIGHT: 22 LBS  
 MOUNT TYPE: BACK  
 GRIPPING FORCE: 3100 daN  
 SPEED: 4500 RPM Max.

|                                                                                                                                                                                                                                                 |             |                                                                                                                                                                                                                                                                                   |                                                                          |
|-------------------------------------------------------------------------------------------------------------------------------------------------------------------------------------------------------------------------------------------------|-------------|-----------------------------------------------------------------------------------------------------------------------------------------------------------------------------------------------------------------------------------------------------------------------------------|--------------------------------------------------------------------------|
| MATERIAL: SEE BOM                                                                                                                                                                                                                               | NAME        | DATE                                                                                                                                                                                                                                                                              | <p><b>TOOLMEX™</b> SOLE PROPERTY OF<br/>TOOLMEX INDUSTRIAL SOLUTIONS</p> |
| HARDNESS: N/A                                                                                                                                                                                                                                   | FINISH: N/A | DRAWN T. THACH 05-22-2020                                                                                                                                                                                                                                                         |                                                                          |
| <p><b>CONTACT INFORMATION:</b><br/>                 Toll Free 855-869-2425<br/>                 Fax 508-653-5110<br/>                 www.tmxtools.com<br/>                 34 TALBOT ROAD<br/>                 NORTH BOROUGH, MA 01532 USA</p> |             | ENG APPR.<br>MFG APPR.<br>Q.A. APPR.<br>SALES APPR.                                                                                                                                                                                                                               |                                                                          |
| INTERPRET GEOMETRIC<br>TOLERANCING PER: Y1999-2001                                                                                                                                                                                              |             | CONFIDENTIAL<br>THIS DRAWING AND THESE SPECIFICATIONS<br>ARE THE SOLE PROPERTY OF TOOLMEX<br>INDUSTRIAL SOLUTIONS, AND SHALL NOT BE<br>REPRODUCED, OR COPIED IN PART OR AS A<br>WHOLE WITHOUT THE EXPRESS WRITTEN<br>PERMISSION OF TOOLMEX INDUSTRIAL<br>SOLUTIONS IS PROHIBITED. |                                                                          |
| <p>THIRD ANGLE PROJECTION</p>                                                                                                                                                                                                                   |             | TITLE 3-JAW (2PC) PRECISION<br>SCROLL FORGED STEEL, 6IN                                                                                                                                                                                                                           | SIZE DWG. NO. REV<br><b>B</b> 3-820-0600P <b>C</b>                       |
|                                                                                                                                                                                                                                                 |             | UNITS IN INCH<br>DO NOT SCALE DRAWING                                                                                                                                                                                                                                             | SHEET 1 OF 3                                                             |

8 7 6 5 4 3 2 1

D  
C  
B  
A

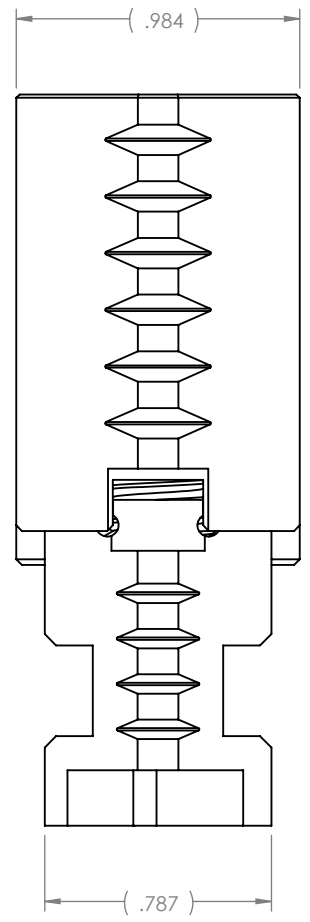
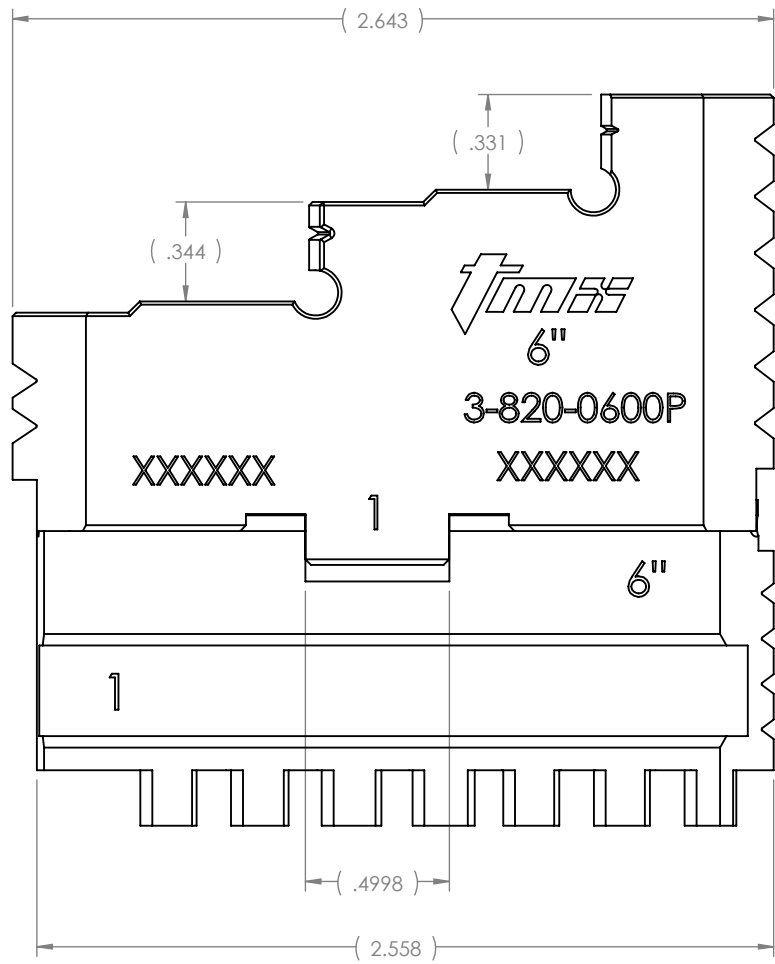
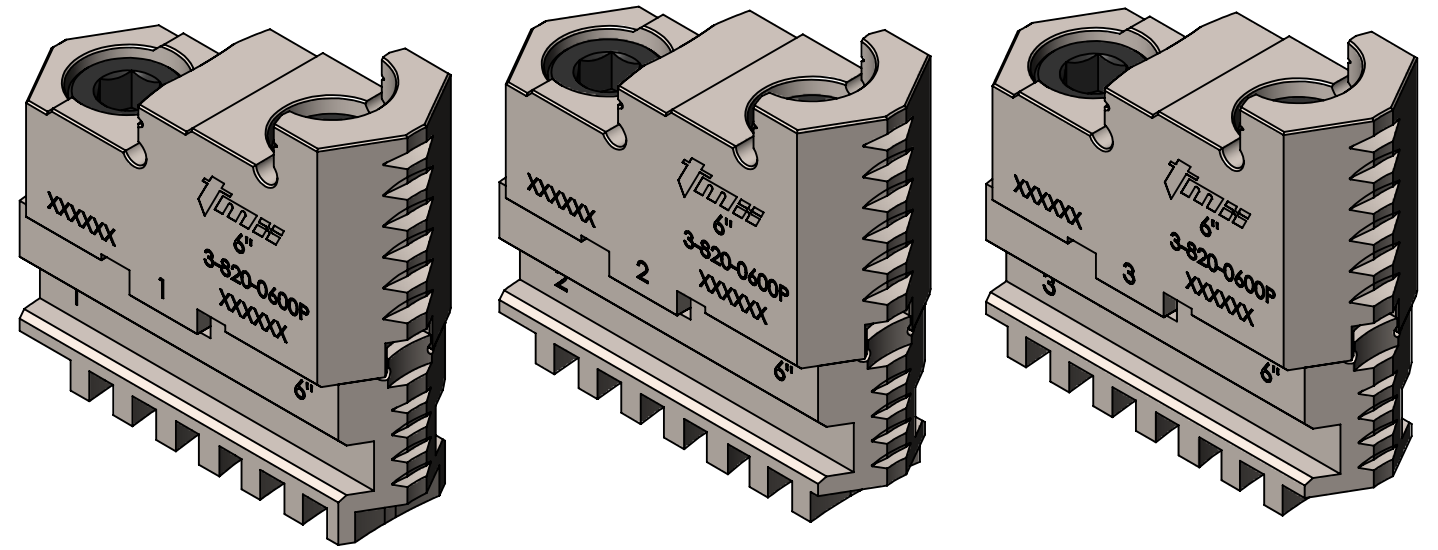
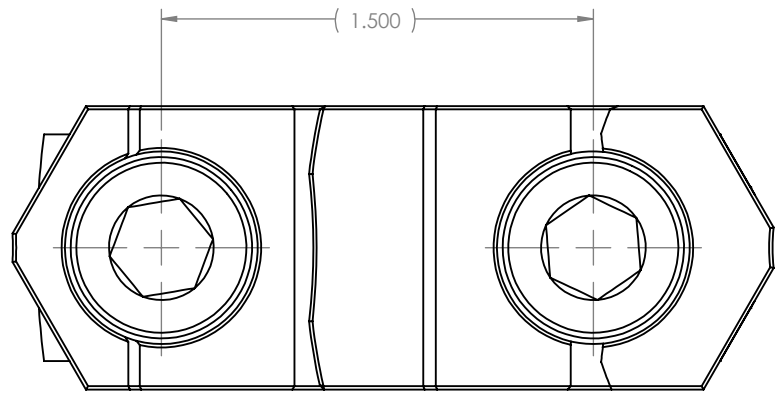


**-FOR CLARIFICATION PURPOSES, MOUNTING BOLTS ARE NOT SHOWN-**

|                                                                                                                                                                                                                                                                                   |          |             |                                                   |      |            |
|-----------------------------------------------------------------------------------------------------------------------------------------------------------------------------------------------------------------------------------------------------------------------------------|----------|-------------|---------------------------------------------------|------|------------|
| MATERIAL:                                                                                                                                                                                                                                                                         | SEE BOM  | NAME        | T. THACH                                          | DATE | 05-22-2020 |
| HARDNESS:                                                                                                                                                                                                                                                                         | N/A      | FINISH:     | N/A                                               |      |            |
| CONTACT INFORMATION:<br>Toll Free 855-869-2425<br>Fax 508-653-5110<br>www.tmxtools.com<br>34 TALBOT ROAD<br>NORTH BOROUGH, MA 01532 USA                                                                                                                                           |          |             | ENG APPR.                                         |      |            |
| INTERPRET GEOMETRIC<br>TOLERANCING PER: Y1999-2001                                                                                                                                                                                                                                |          |             | MFG APPR.                                         |      |            |
| THIRD ANGLE PROJECTION                                                                                                                                                                                                                                                            |          |             | Q.A. APPR.                                        |      |            |
| CONFIDENTIAL<br>THIS DRAWING AND THESE SPECIFICATIONS<br>ARE THE SOLE PROPERTY OF TOOLMEX<br>INDUSTRIAL SOLUTIONS, AND SHALL NOT BE<br>REPRODUCED, OR COPIED IN PART OR AS A<br>WHOLE WITHOUT THE EXPRESS WRITTEN<br>PERMISSION OF TOOLMEX INDUSTRIAL<br>SOLUTIONS IS PROHIBITED. |          |             | SALES APPR.                                       |      |            |
|                                                                                                                                                                                                                                                                                   |          | TITLE       | 3-JAW (2PC) PRECISION<br>SCROLL FORGED STEEL, 6IN |      | REV        |
| SIZE                                                                                                                                                                                                                                                                              | DWG. NO. | 3-820-0600P |                                                   | C    |            |
| UNITS IN INCH                                                                                                                                                                                                                                                                     |          |             |                                                   |      |            |
| DO NOT SCALE DRAWING                                                                                                                                                                                                                                                              |          |             | SHEET 2 OF 3                                      |      |            |

8 7 6 5 4 3 2 1

8 7 6 5 4 3 2 1



**-CLICK ON LINKS BELOW FOR REPLACEMENT PARTS-**

**3-883-306P, HARD TOP JAWS, 6IN, 3-JAW 3 PC SET**

**3-885-306P, HARD MASTER JAWS, 6IN, 3-JAW 3 PC SET**

**- FOR CLARIFICATION PURPOSES, CHUCK BODY IS NOT SHOWN-**

|                                                                                                                 |         |         |                                                                                                                                                                                                                                                                                   |       |            |                                                                     |          |                                                   |          |
|-----------------------------------------------------------------------------------------------------------------|---------|---------|-----------------------------------------------------------------------------------------------------------------------------------------------------------------------------------------------------------------------------------------------------------------------------------|-------|------------|---------------------------------------------------------------------|----------|---------------------------------------------------|----------|
| MATERIAL:                                                                                                       | SEE BOM | NAME    | T. THACH                                                                                                                                                                                                                                                                          | DATE  | 05-22-2020 | <b>TOOLMEX™</b><br>SOLE PROPERTY OF<br>TOOLMEX INDUSTRIAL SOLUTIONS |          |                                                   |          |
| HARDNESS:                                                                                                       | N/A     | FINISH: | N/A                                                                                                                                                                                                                                                                               | DRAWN |            |                                                                     | TITLE    | 3-JAW (2PC) PRECISION<br>SCROLL FORGED STEEL, 6IN |          |
| CONTACT INFORMATION:                                                                                            |         |         | ENG APPR.                                                                                                                                                                                                                                                                         |       |            |                                                                     | SIZE     | DWG. NO.                                          | REV      |
| Toll Free 855-869-2425<br>Fax 508-653-5110<br>www.tmxtools.com<br>34 TALBOT ROAD<br>NORTH BOROUGH, MA 01532 USA |         |         | MFG APPR.                                                                                                                                                                                                                                                                         |       |            |                                                                     | <b>B</b> | <b>3-820-0600P</b>                                | <b>C</b> |
| INTERPRET GEOMETRIC<br>TOLERANCING PER: Y1999-2001                                                              |         |         | Q.A. APPR.                                                                                                                                                                                                                                                                        |       |            | UNITS IN INCH                                                       |          |                                                   |          |
| THIRD ANGLE PROJECTION                                                                                          |         |         | SALES APPR.                                                                                                                                                                                                                                                                       |       |            | DO NOT SCALE DRAWING                                                |          |                                                   |          |
|                                                                                                                 |         |         | CONFIDENTIAL<br>THIS DRAWING AND THESE SPECIFICATIONS<br>ARE THE SOLE PROPERTY OF TOOLMEX<br>INDUSTRIAL SOLUTIONS, AND SHALL NOT BE<br>REPRODUCED, OR COPIED IN PART OR AS A<br>WHOLE WITHOUT THE EXPRESS WRITTEN<br>PERMISSION OF TOOLMEX INDUSTRIAL<br>SOLUTIONS IS PROHIBITED. |       |            | SHEET 3 OF 3                                                        |          |                                                   |          |

8 7 6 5 4 3 2 1