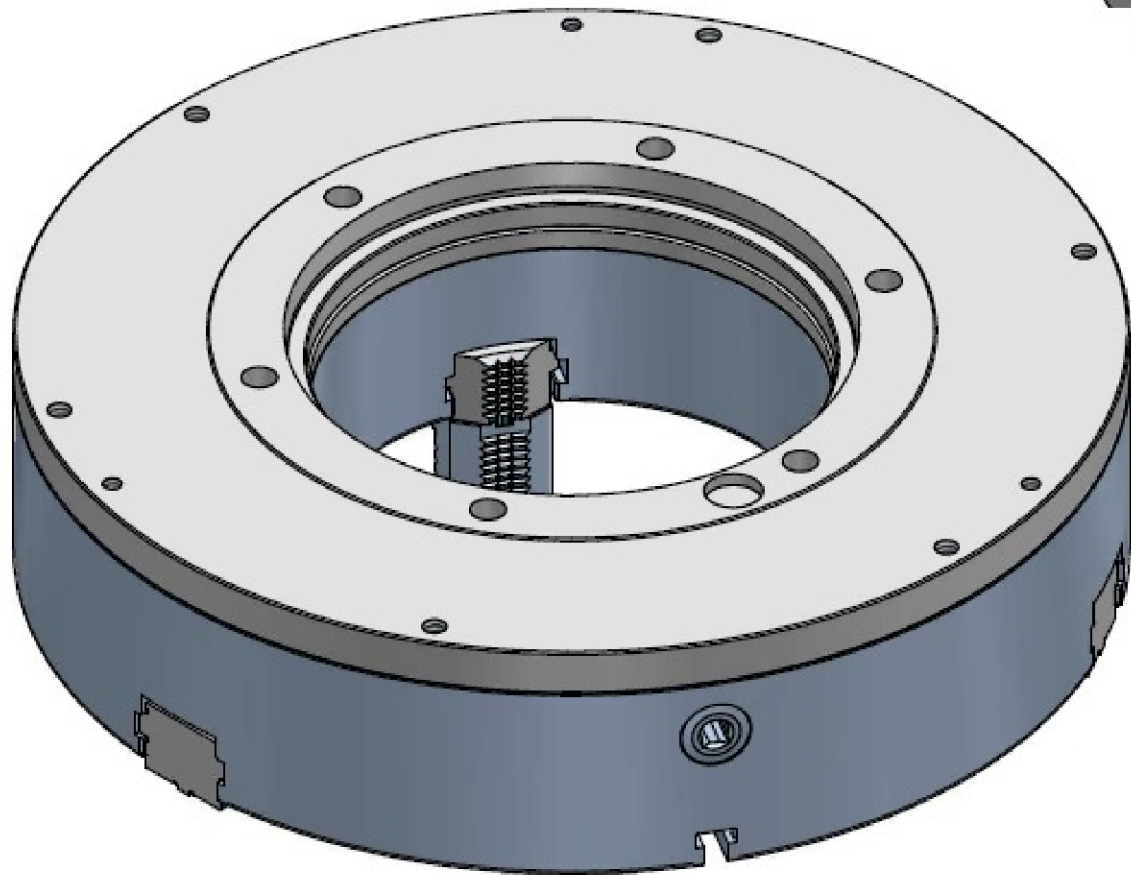
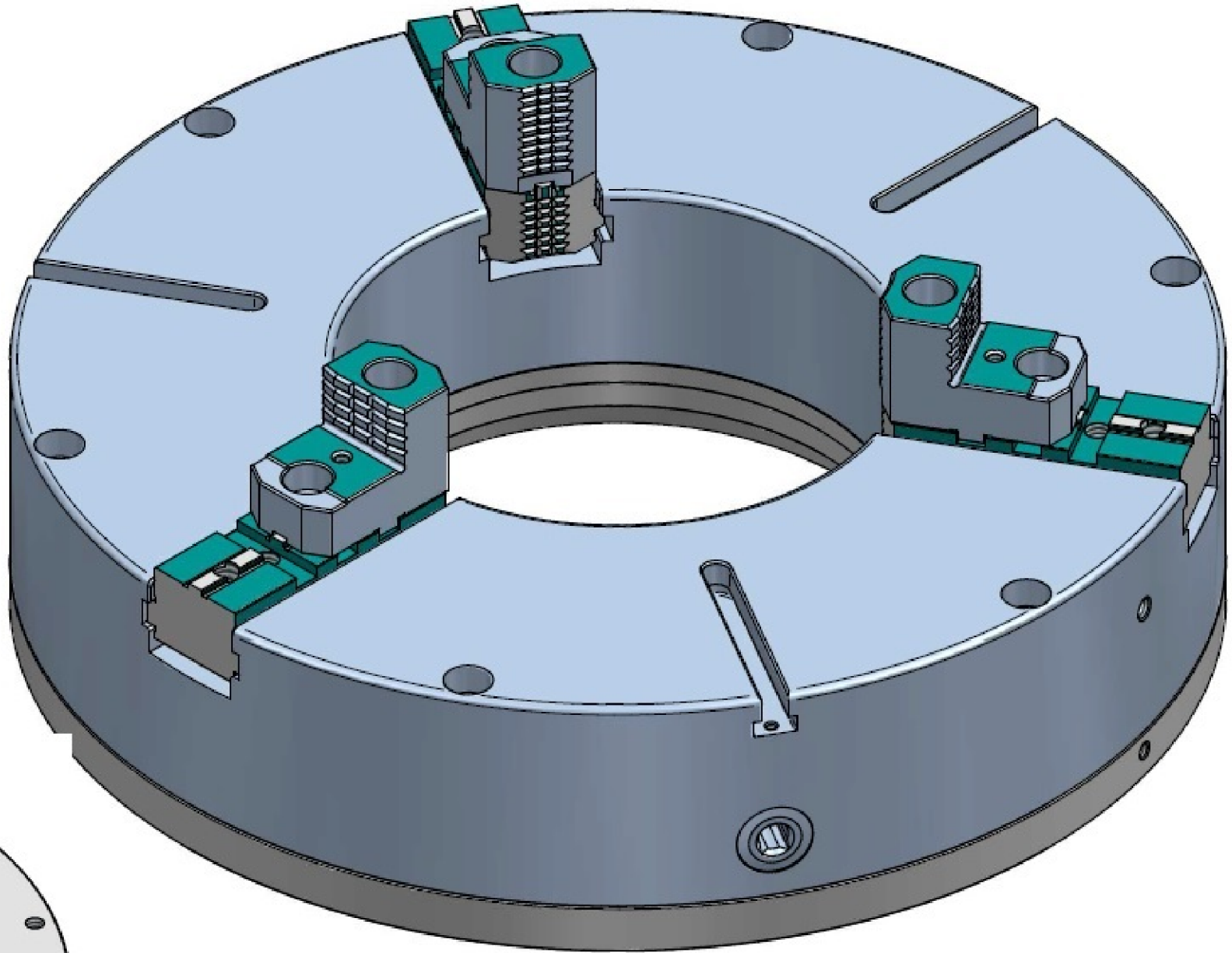
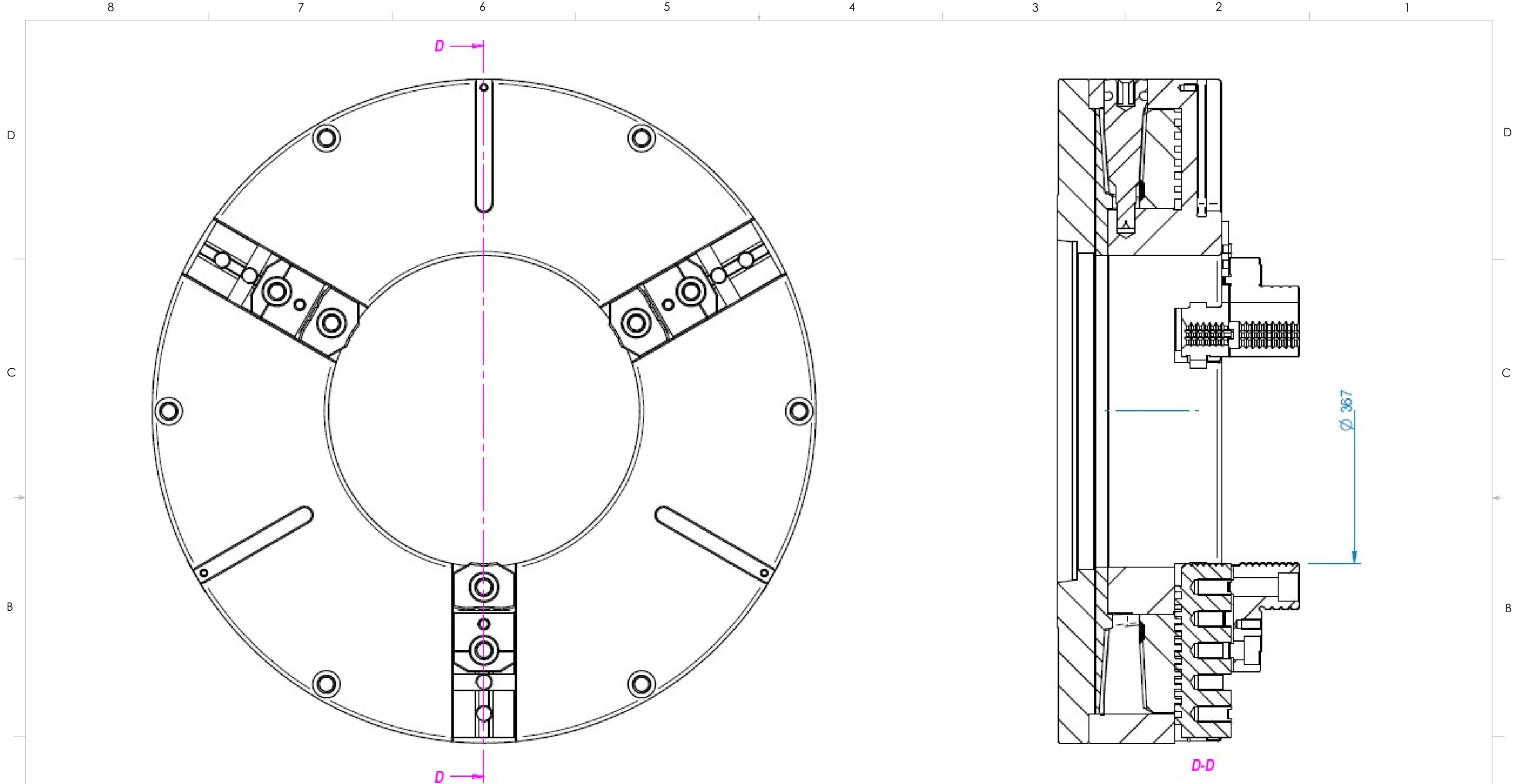


WEIGHT: 516KG		NAME		DATE			
HARDNESS:		FINISH:		DRAWN T. THACH 12-22-2021			
<p><b>CONTACT INFORMATION:</b>  Toll Free 855-869-2425  Fax 508-653-5110  www.tmxtools.com  34 TALBOT ROAD  NORTH BOROUGH, MA 01532 USA</p> <p>INTERPRET GEOMETRIC  TOLERANCING PER: Y1999-2001</p> <p>THIRD ANGLE PROJECTION</p>				ENG APPR.		<p><b>CONFIDENTIAL</b>  THIS DRAWING AND THESE SPECIFICATIONS ARE THE SOLE PROPERTY OF TOOLMEX INDUSTRIAL SOLUTIONS, AND SHALL NOT BE REPRODUCED, OR COPIED IN PART OR AS A WHOLE WITHOUT THE EXPRESS WRITTEN PERMISSION OF TOOLMEX INDUSTRIAL SOLUTIONS IS PROHIBITED.</p>	
				MFG APPR.			
				Q.A. APPR.			
				SALES APPR.			
TITLE		SIZE		DWG. NO.		REV	
3 JAWS (2-PC) SCROLL CHUCK, 800mm		B		3-825-3222P		PRE	
UNITS IN MILLIMETER							
DO NOT SCALE DRAWING				SHEET 1 OF 7			

Technical specifications	
Max. Torque on key	75 DaNm
Total clamping force	13000 DaN
Material	Steel
Max. Rotational speed	764 r.p.m
Chuck weight	516 kg

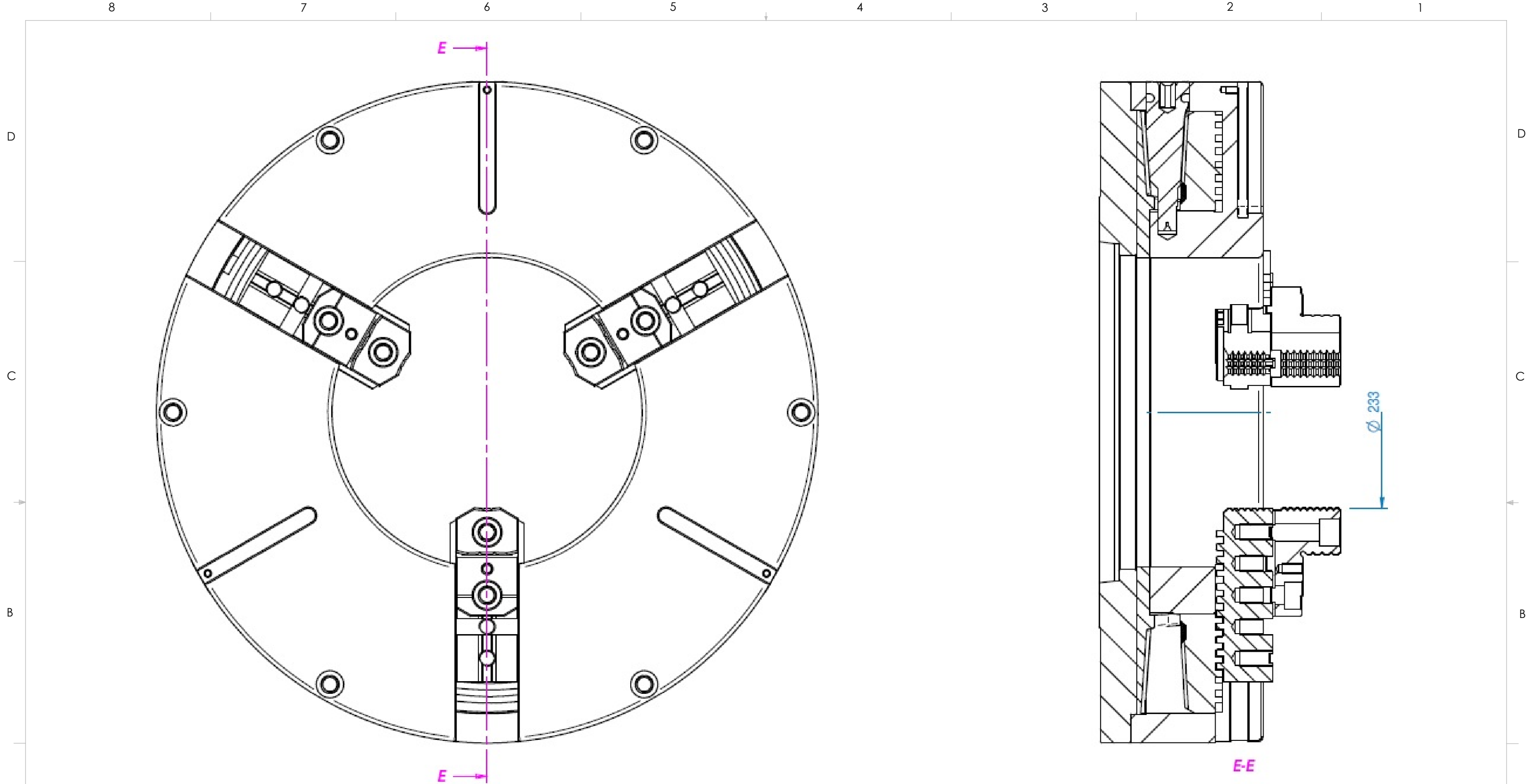


WEIGHT: 516KG	FINISH:	DRAWN	NAME	DATE	 <b>TOOLMEX™</b> SOLE PROPERTY OF TOOLMEX INDUSTRIAL SOLUTIONS	
HARDNESS:		ENG APPR.	T. THACH	12-22-2021		
<b>CONTACT INFORMATION:</b> Toll Free 855-869-2425 Fax 508-653-5110  www.toolmex.com  34 TALBOT ROAD NORTH BOROUGH, MA 01532 USA		MFG APPR.				TITLE
INTERPRET GEOMETRIC TOLERANCING PER: Y1999-2001		Q.A. APPR.				3 JAWS (2-PC) SCROLL CHUCK, 800mm
 THIRD ANGLE PROJECTION		SALES APPR.			SIZE DWG. NO. REV <b>B</b> 3-825-3222P PRE	
CONFIDENTIAL THIS DRAWING AND THESE SPECIFICATIONS ARE THE SOLE PROPERTY OF TOOLMEX INDUSTRIAL SOLUTIONS, AND SHALL NOT BE REPRODUCED, OR COPIED IN PART OR AS A WHOLE WITHOUT THE EXPRESS WRITTEN PERMISSION OF TOOLMEX INDUSTRIAL SOLUTIONS IS PROHIBITED.			UNITS IN MILLIMETER			
DO NOT SCALE DRAWING				SHEET 2 OF 7		

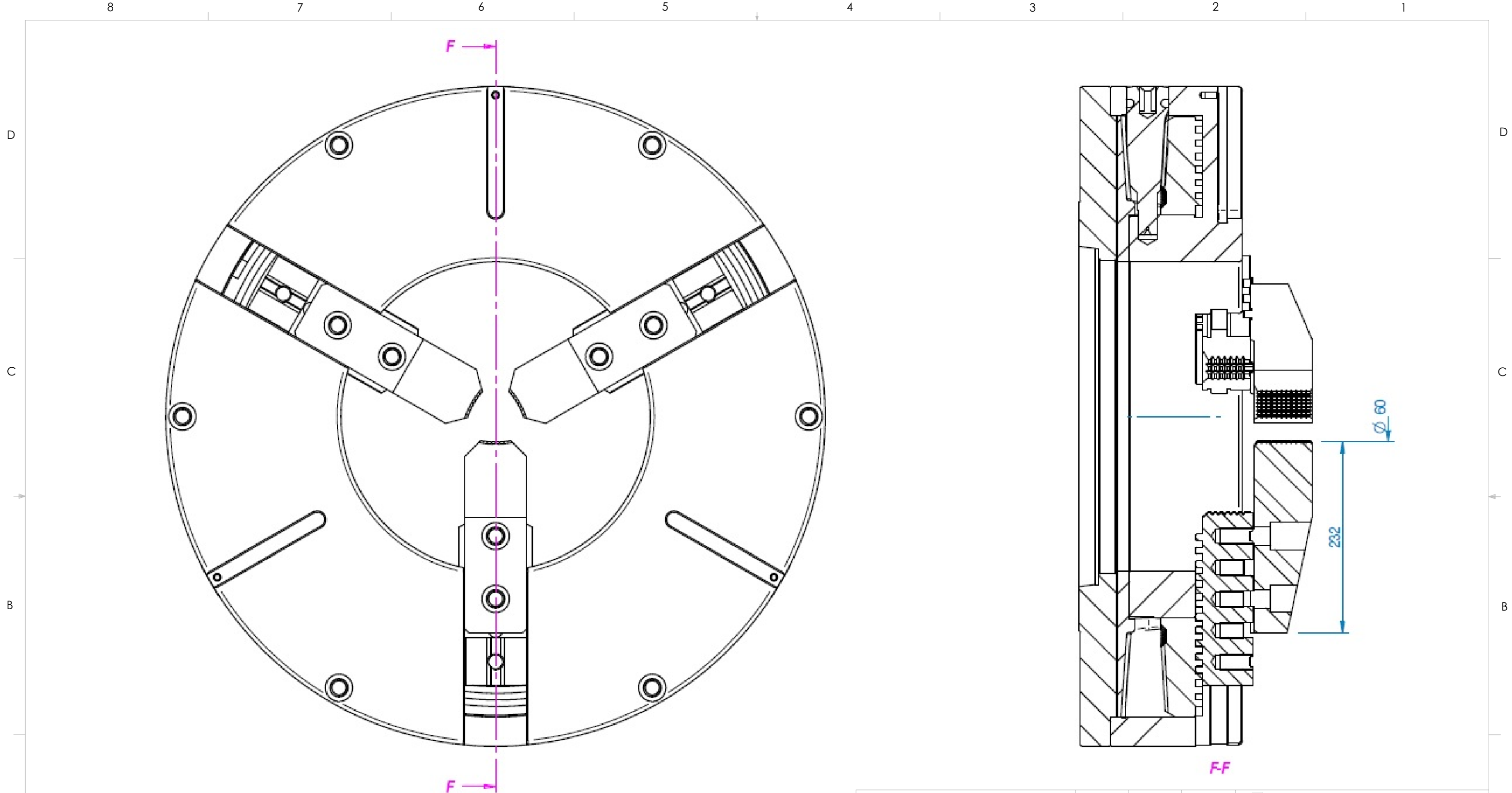



WEIGHT: 516KG		NAME		DATE			
HARDNESS:		DRAWN		T. THACH 12-22-2021			
FINISH:		ENG APPR.		 <b>TOOLMEX™</b> SOLE PROPERTY OF TOOLMEX INDUSTRIAL SOLUTIONS			
<u>CONTACT INFORMATION:</u> Toll Free 855-869-2425 Fax 508-653-5110  www.toolmex.com  34 TALBOT ROAD NORTH BOROUGH, MA 01532 USA		MFG APPR.				TITLE	
		Q.A. APPR.				3 JAWS (2-PC) SCROLL CHUCK, 800mm	
		SALES APPR.				SIZE DWG. NO. REV	
INTERPRET GEOMETRIC TOLERANCING PER: Y1999-2001		CONFIDENTIAL THIS DRAWING AND THESE SPECIFICATIONS ARE THE SOLE PROPERTY OF TOOLMEX INDUSTRIAL SOLUTIONS, AND SHALL NOT BE REPRODUCED, OR COPIED IN PART OR AS A WHOLE WITHOUT THE EXPRESS WRITTEN PERMISSION OF TOOLMEX INDUSTRIAL SOLUTIONS IS PROHIBITED.		<b>B</b> 3-825-3222P PRE			
 THIRD ANGLE PROJECTION		UNITS IN MILLIMETER		DO NOT SCALE DRAWING SHEET 3 OF 7			

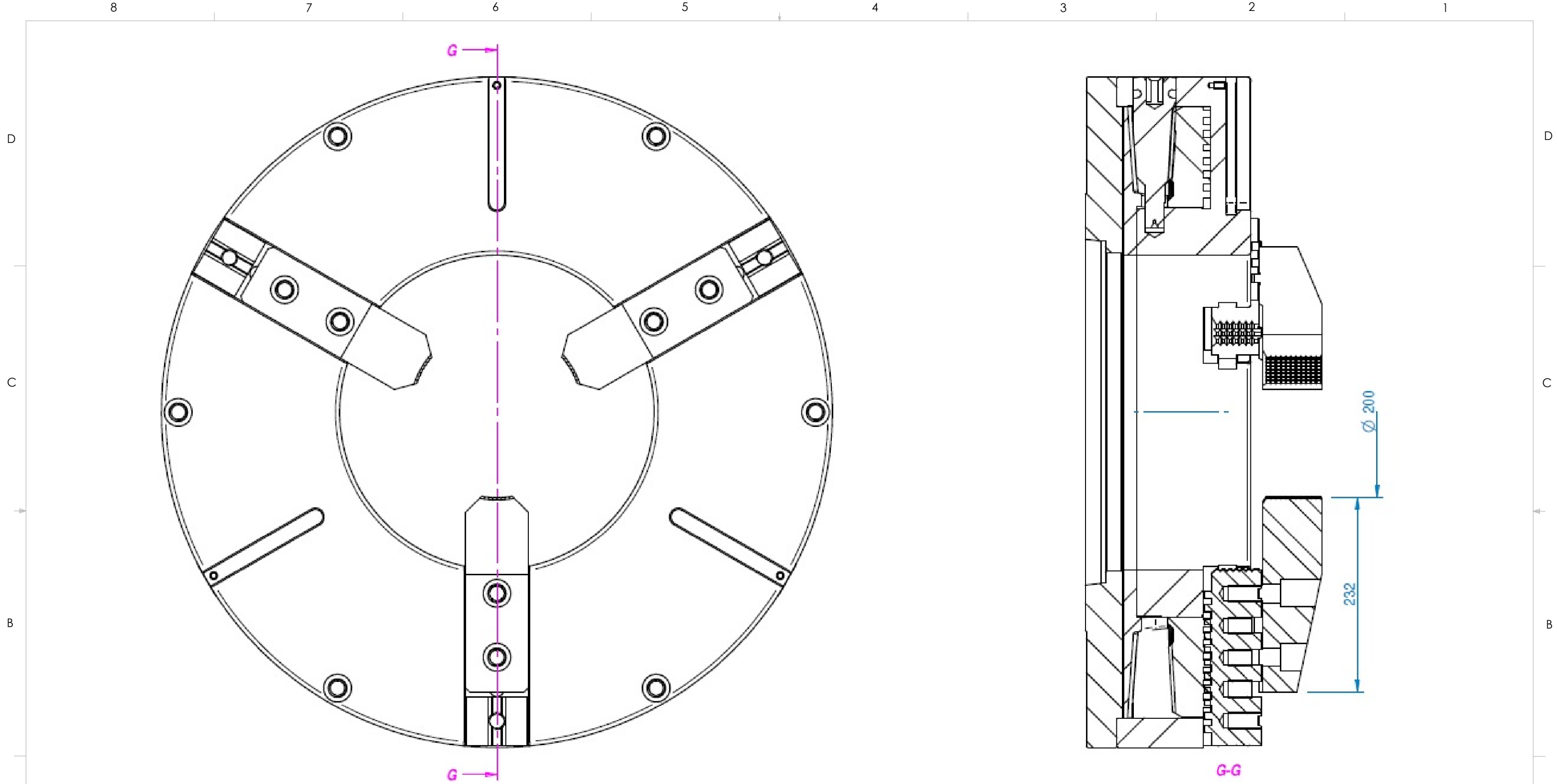




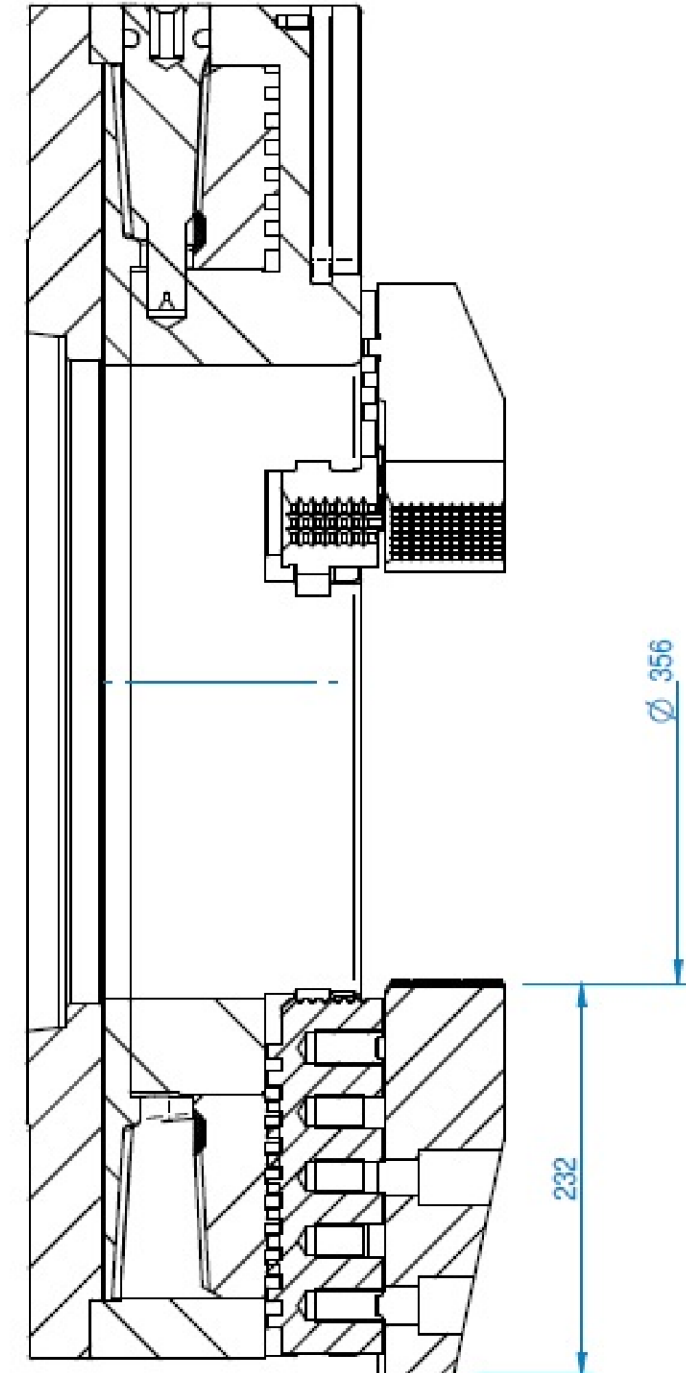
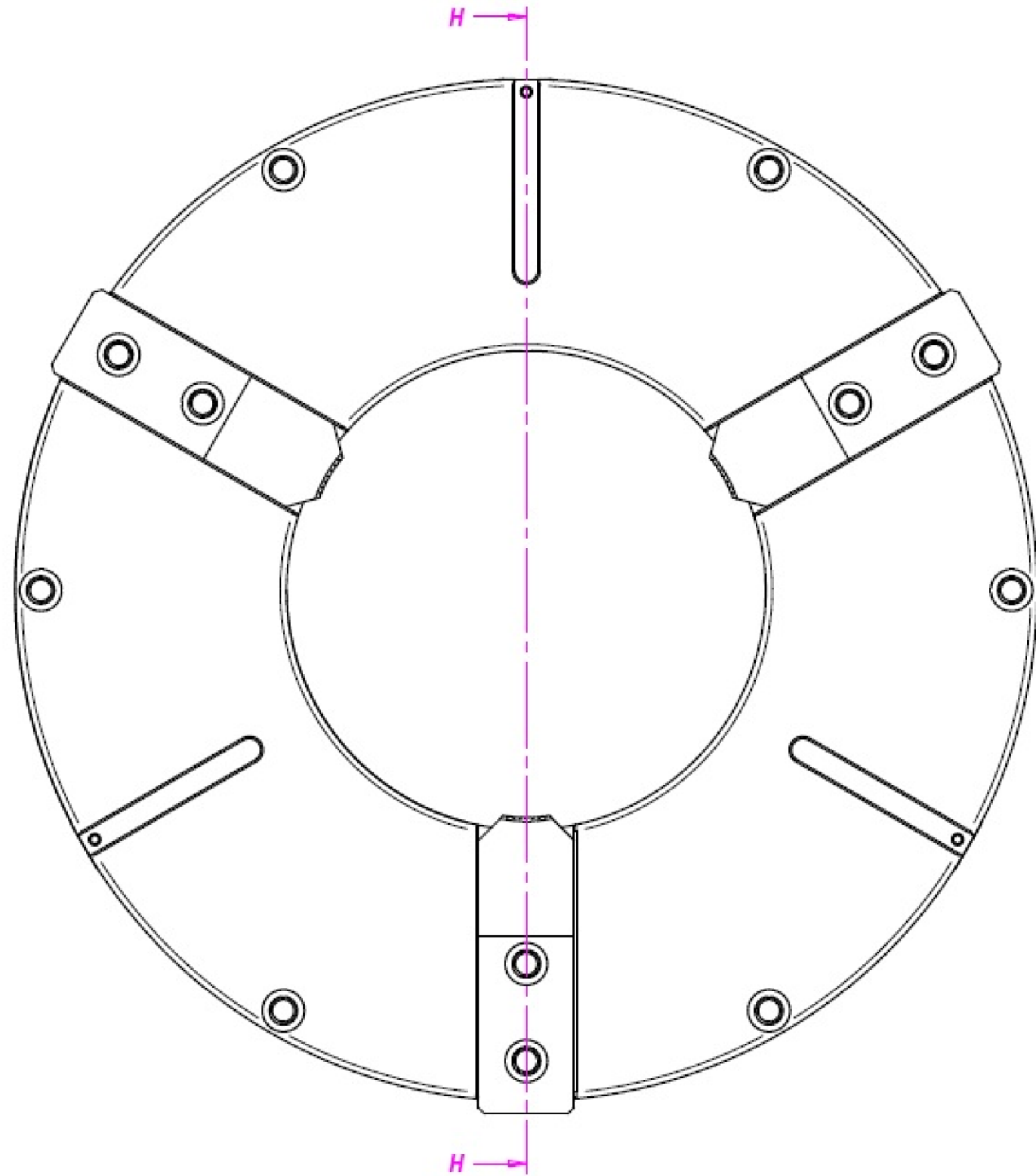
WEIGHT: 516KG		NAME		DATE	
HARDNESS:		FINISH:		DRAWN T. THACH 12-22-2021	
<p><b>CONTACT INFORMATION:</b>  Toll Free 855-869-2425  Fax 508-653-5110  www.tmxtools.com  34 TALBOT ROAD  NORTH BOROUGH, MA 01532 USA</p>		ENG APPR.		<p><b>CONFIDENTIAL</b>  THIS DRAWING AND THESE SPECIFICATIONS ARE THE SOLE PROPERTY OF TOOLMEX INDUSTRIAL SOLUTIONS, AND SHALL NOT BE REPRODUCED, OR COPIED IN PART OR AS A WHOLE WITHOUT THE EXPRESS WRITTEN PERMISSION OF TOOLMEX INDUSTRIAL SOLUTIONS IS PROHIBITED.</p>	
		MFG APPR.			
		Q.A. APPR.			
		SALES APPR.			
<p>INTERPRET GEOMETRIC TOLERANCING PER: Y1999-2001</p>  <p>THIRD ANGLE PROJECTION</p>		<p>SOLE PROPERTY OF TOOLMEX INDUSTRIAL SOLUTIONS</p> <p>TITLE 3 JAWS (2-PC) SCROLL CHUCK, 800mm</p> <p>SIZE DWG. NO. REV <b>B</b> 3-825-3222P PRE</p> <p>UNITS IN MILLIMETER</p>		<p>DO NOT SCALE DRAWING</p> <p>SHEET 4 OF 7</p>	



WEIGHT: 516KG		NAME		DATE			
HARDNESS:		DRAWN		T. THACH 12-22-2021			
FINISH:		ENG APPR.		 <b>TOOLMEX™</b> SOLE PROPERTY OF TOOLMEX INDUSTRIAL SOLUTIONS			
<u>CONTACT INFORMATION:</u> Toll Free 855-869-2425 Fax 508-653-5110  www.toolmex.com  34 TALBOT ROAD NORTH BOROUGH, MA 01532 USA		MFG APPR.				TITLE	
		Q.A. APPR.				3 JAWS (2-PC) SCROLL CHUCK, 800mm	
		SALES APPR.				SIZE DWG. NO. REV	
INTERPRET GEOMETRIC TOLERANCING PER: Y1999-2001		CONFIDENTIAL THIS DRAWING AND THESE SPECIFICATIONS ARE THE SOLE PROPERTY OF TOOLMEX INDUSTRIAL SOLUTIONS, AND SHALL NOT BE REPRODUCED, OR COPIED IN PART OR AS A WHOLE WITHOUT THE EXPRESS WRITTEN PERMISSION OF TOOLMEX INDUSTRIAL SOLUTIONS IS PROHIBITED.		<b>B</b> 3-825-3222P PRE			
 THIRD ANGLE PROJECTION		UNITS IN MILLIMETER		DO NOT SCALE DRAWING SHEET 5 OF 7			



WEIGHT: 516KG		NAME		DATE			
HARDNESS:		DRAWN		T. THACH 12-22-2021			
FINISH:		ENG APPR.		<b>TOOLMEX</b> ™ SOLE PROPERTY OF TOOLMEX INDUSTRIAL SOLUTIONS			
<u>CONTACT INFORMATION:</u> Toll Free 855-869-2425 Fax 508-653-5110  www.toolmex.com  34 TALBOT ROAD NORTH BOROUGH, MA 01532 USA		MFG APPR.				TITLE	
		Q.A. APPR.				3 JAWS (2-PC) SCROLL CHUCK, 800mm	
		SALES APPR.				SIZE DWG. NO. REV	
INTERPRET GEOMETRIC TOLERANCING PER: Y1999-2001		CONFIDENTIAL THIS DRAWING AND THESE SPECIFICATIONS ARE THE SOLE PROPERTY OF TOOLMEX INDUSTRIAL SOLUTIONS, AND SHALL NOT BE REPRODUCED, OR COPIED IN PART OR AS A WHOLE WITHOUT THE EXPRESS WRITTEN PERMISSION OF TOOLMEX INDUSTRIAL SOLUTIONS IS PROHIBITED.		<b>B</b> 3-825-3222P PRE			
 THIRD ANGLE PROJECTION		UNITS IN MILLIMETER		DO NOT SCALE DRAWING SHEET 6 OF 7			



WEIGHT: 516KG		NAME		DATE			
HARDNESS:		DRAWN		T. THACH 12-22-2021			
FINISH:		ENG APPR.		<b>TOOLMEX</b> ™ SOLE PROPERTY OF TOOLMEX INDUSTRIAL SOLUTIONS			
<u>CONTACT INFORMATION:</u> Toll Free 855-869-2425 Fax 508-653-5110  www.toolmex.com  34 TALBOT ROAD NORTH BOROUGH, MA 01532 USA		MFG APPR.				TITLE	
		Q.A. APPR.				3 JAWS (2-PC) SCROLL CHUCK, 800mm	
		SALES APPR.				SIZE DWG. NO. REV	
INTERPRET GEOMETRIC TOLERANCING PER: Y1999-2001		CONFIDENTIAL THIS DRAWING AND THESE SPECIFICATIONS ARE THE SOLE PROPERTY OF TOOLMEX INDUSTRIAL SOLUTIONS, AND SHALL NOT BE REPRODUCED, OR COPIED IN PART OR AS A WHOLE WITHOUT THE EXPRESS WRITTEN PERMISSION OF TOOLMEX INDUSTRIAL SOLUTIONS IS PROHIBITED.		<b>B</b> 3-825-3222P PRE			
 THIRD ANGLE PROJECTION				UNITS IN MILLIMETER			
		DO NOT SCALE DRAWING		SHEET 7 OF 7			