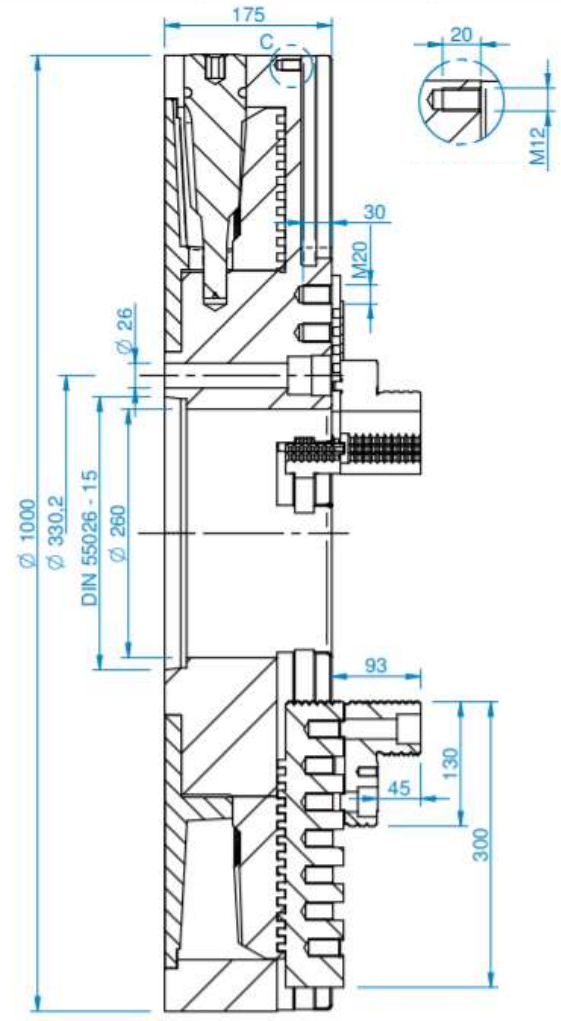
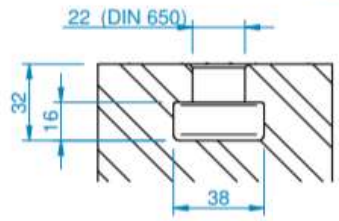
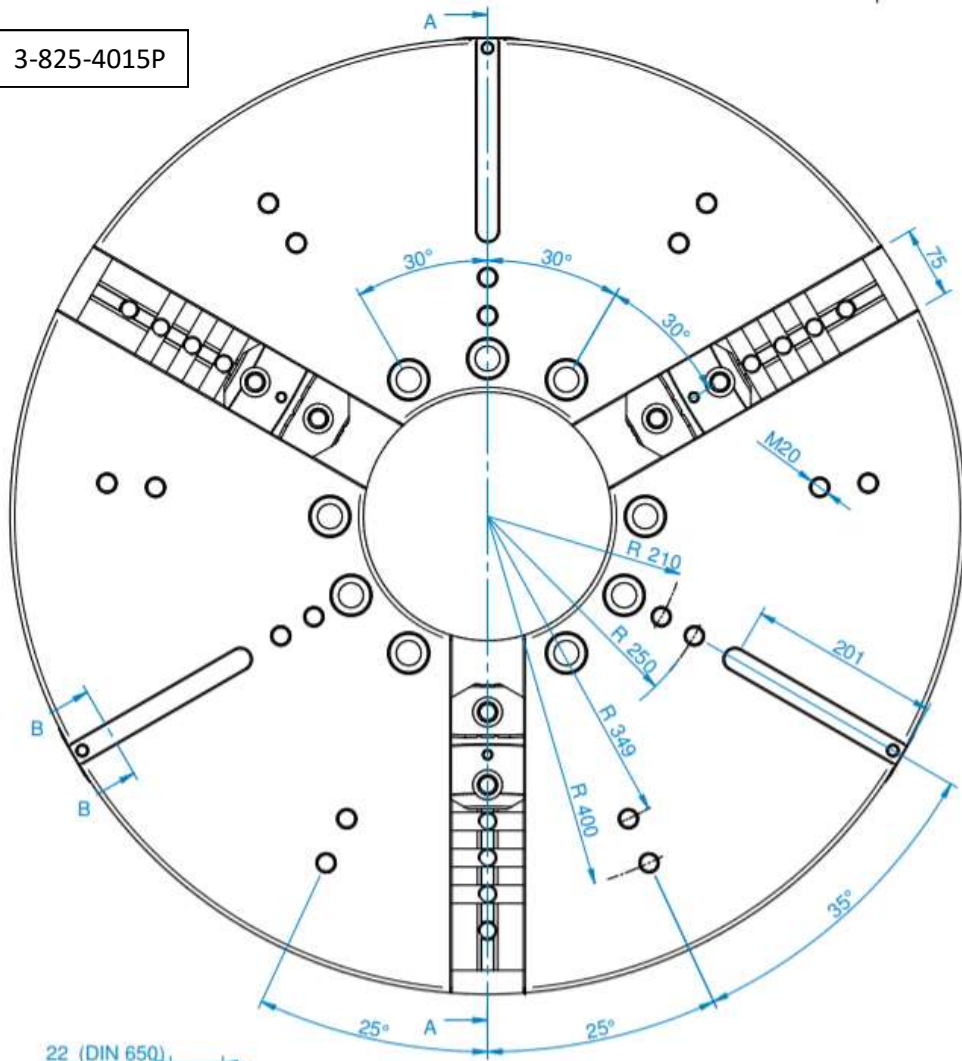


3-825-4015P

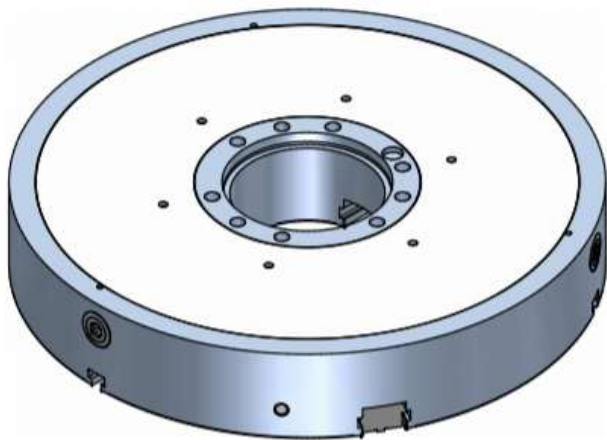
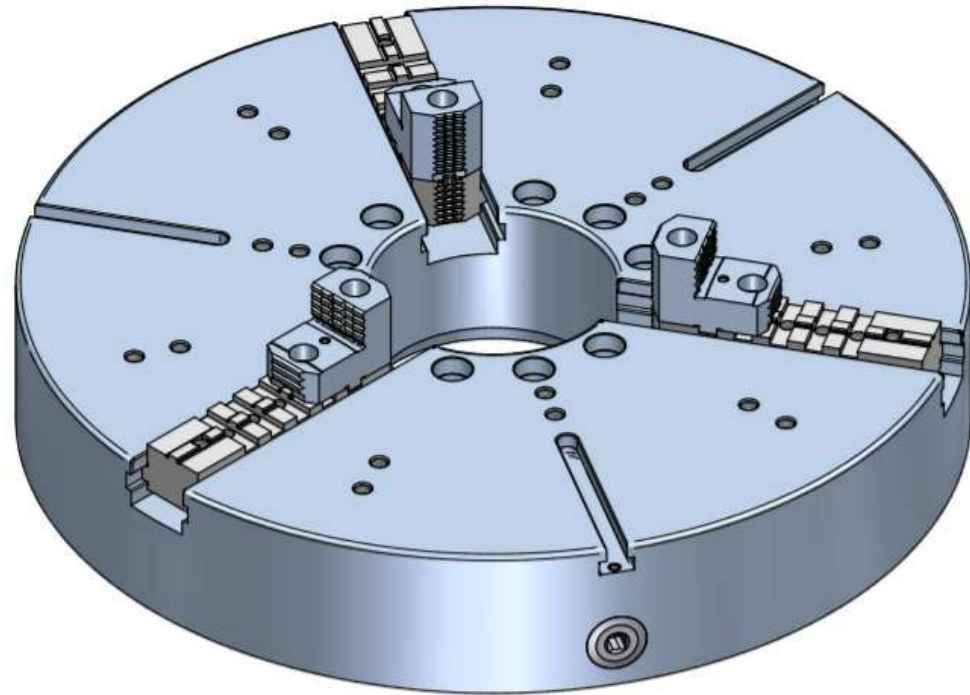


tmxTM
EUROPEAN PRECISION & QUALITY

3-825-4015P

Chuck Technical Specifications

Max. R.P.M.	611
Max. torque on key:	90 daN.m.
Gripping force:	12.000 daN
Weight:	780 kg (approx.)
Material	Steel
Number of Jaws	3



tmxTM
EUROPEAN PRECISION & QUALITY