

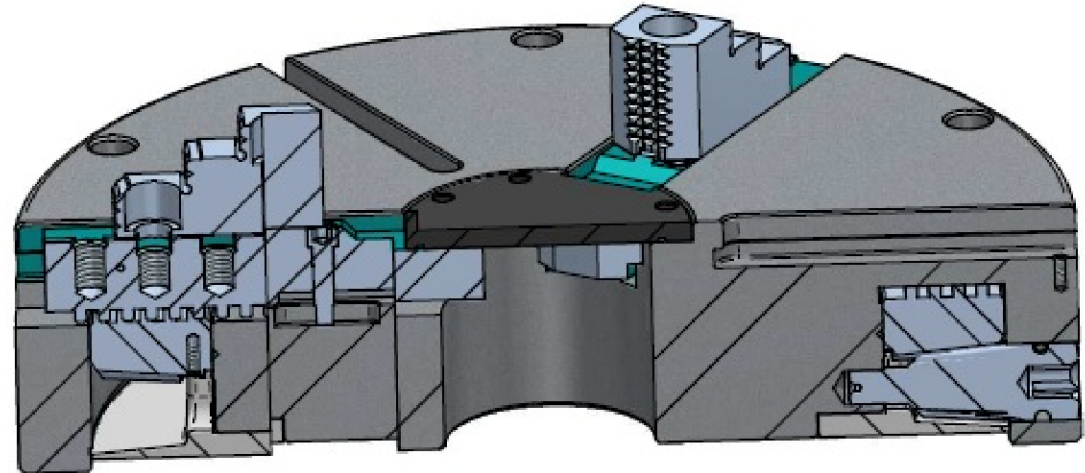
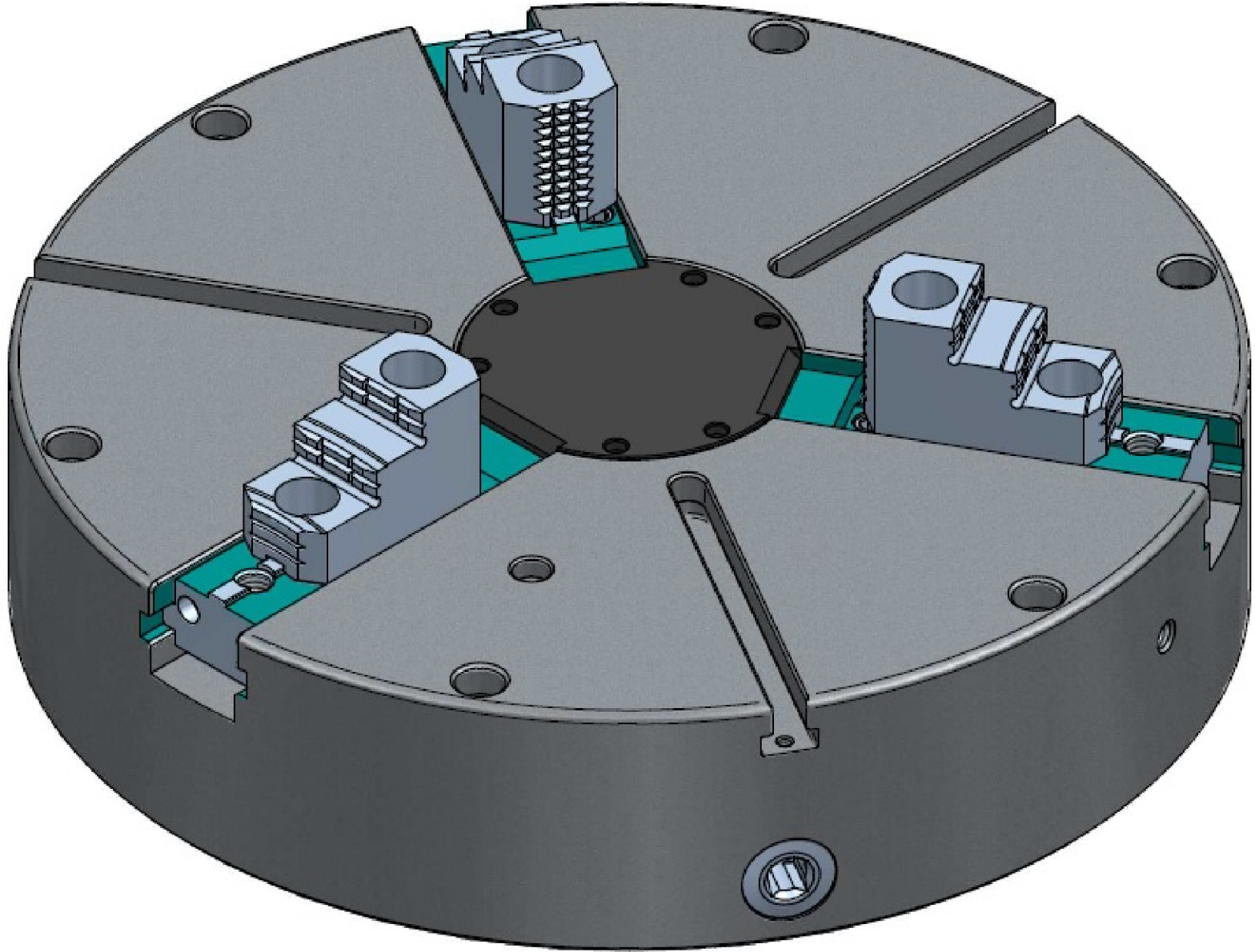
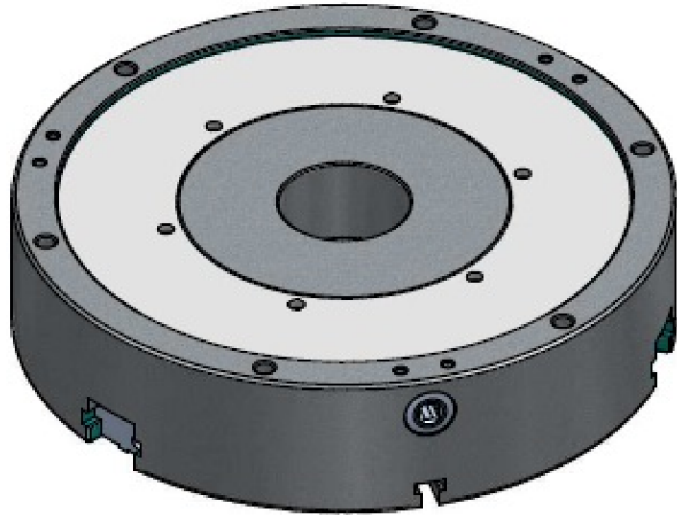



WEIGHT: 295.132 KG		NAME	DATE	 TOOLMEX™ SOLE PROPERTY OF TOOLMEX INDUSTRIAL SOLUTIONS		
HARDNESS:	FINISH:	DRAWN	T. THACH		02-14-2022	
<u>CONTACT INFORMATION:</u> Toll Free 855-869-2425 Fax 508-653-5110 www.toolmex.com 34 TALBOT ROAD NORTH BOROUGH, MA 01532 USA		ENG APPR.		TITLE		
		MFG APPR.		3 JAWS (2-PC) SCROLL CHUCK, 630mm		
		Q.A. APPR.		SIZE	DWG. NO.	REV
		SALES APPR.		B	3-826-2500P	PRE
INTERPRET GEOMETRIC TOLERANCING PER: Y1999-2001		CONFIDENTIAL THIS DRAWING AND THESE SPECIFICATIONS ARE THE SOLE PROPERTY OF TOOLMEX INDUSTRIAL SOLUTIONS, AND SHALL NOT BE REPRODUCED, OR COPIED IN PART OR AS A WHOLE WITHOUT THE EXPRESS WRITTEN PERMISSION OF TOOLMEX INDUSTRIAL SOLUTIONS IS PROHIBITED.		UNITS IN MILLIMETER DO NOT SCALE DRAWING		
 THIRD ANGLE PROJECTION				SHEET 1 OF 2		

8 7 6 5 4 3 2 1

TECHNICAL SPECIFICATIONS	
Torque on key	40 DaNm
Gripping force	10000 DaN
Material	Steel F-114
Max. Speed Rotation	970 r.p.m



WEIGHT: 295.132 KG	NAME	DATE	 TOOLMEX INDUSTRIAL SOLUTIONS
HARDNESS:	FINISH:	DRAWN T. THACH 02-14-2022	
<p><u>CONTACT INFORMATION:</u> Toll Free 855-869-2425 Fax 508-653-5110 www.tmxtools.com 34 TALBOT ROAD NORTH BOROUGH, MA 01532 USA</p>			TITLE 3 JAWS (2-PC) SCROLL CHUCK, 630mm
<p>INTERPRET GEOMETRIC TOLERANCING PER: Y1999-2001</p>			SIZE DWG. NO. REV B 3-826-2500P PRE
<p>THIRD ANGLE PROJECTION</p>			UNITS IN MILLIMETER DO NOT SCALE DRAWING SHEET 2 OF 2

8 7 6 5 4 3 2 1