

8 7 6 5 4 3 2 1

D

C

B

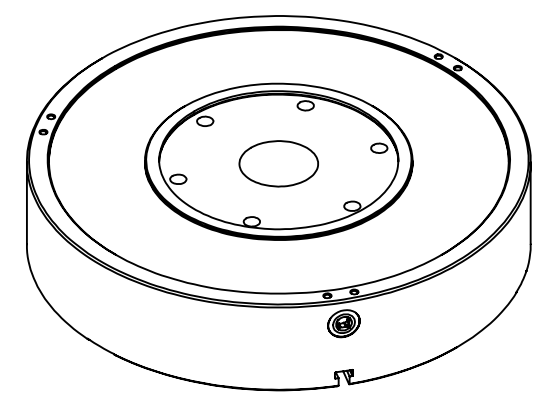
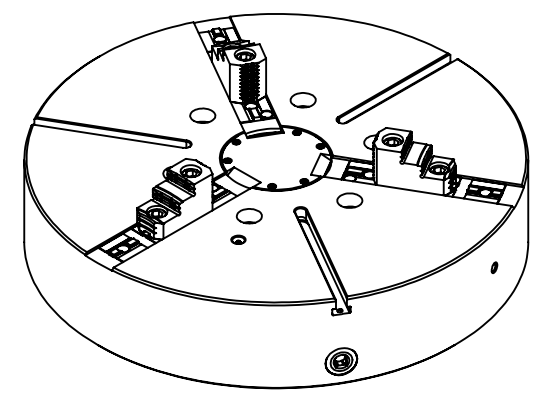
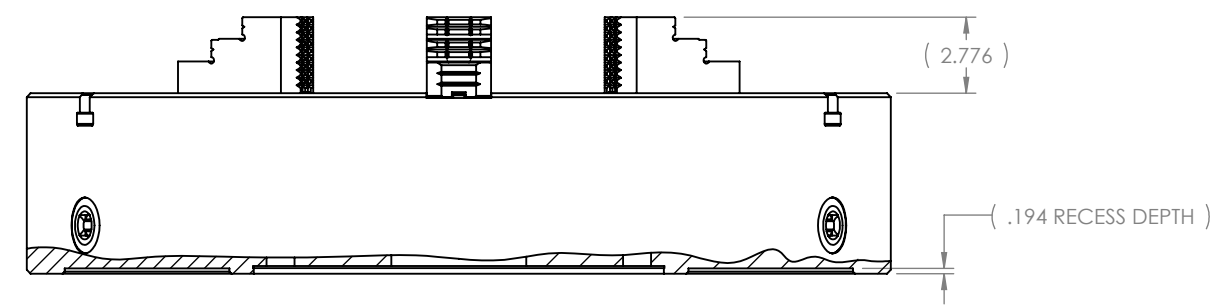
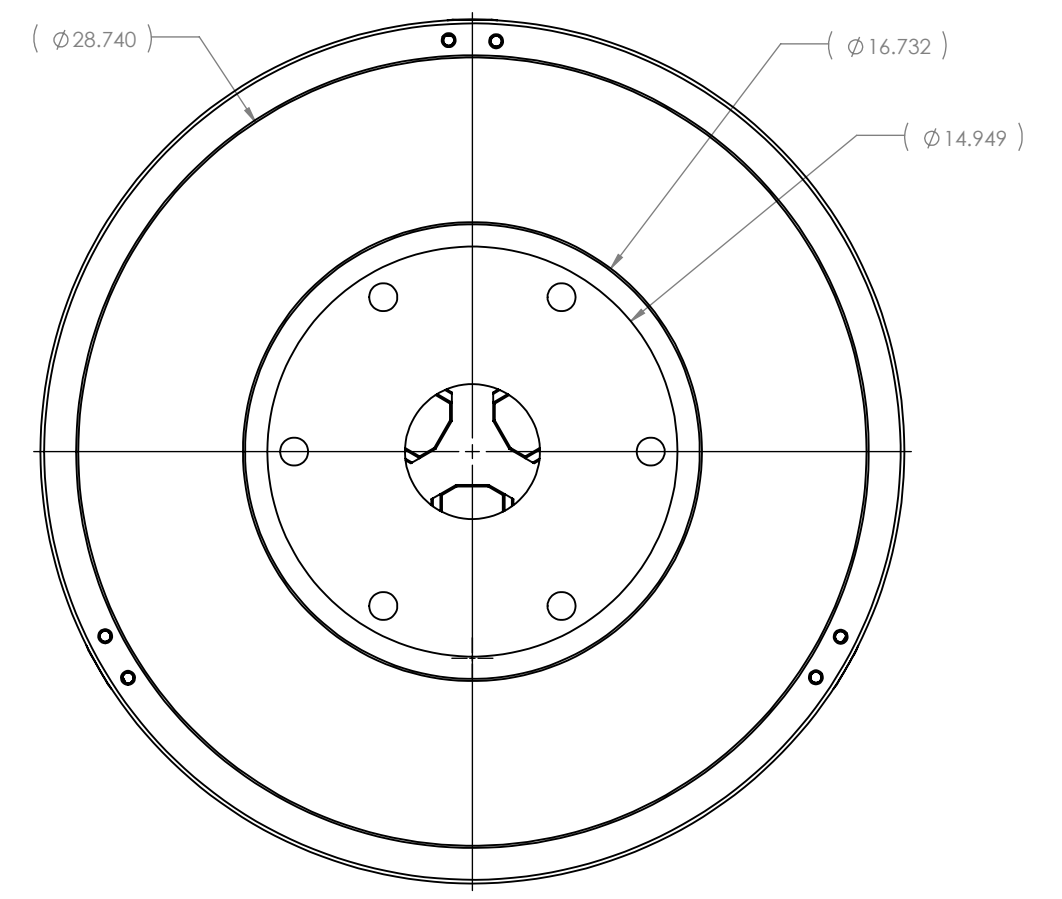
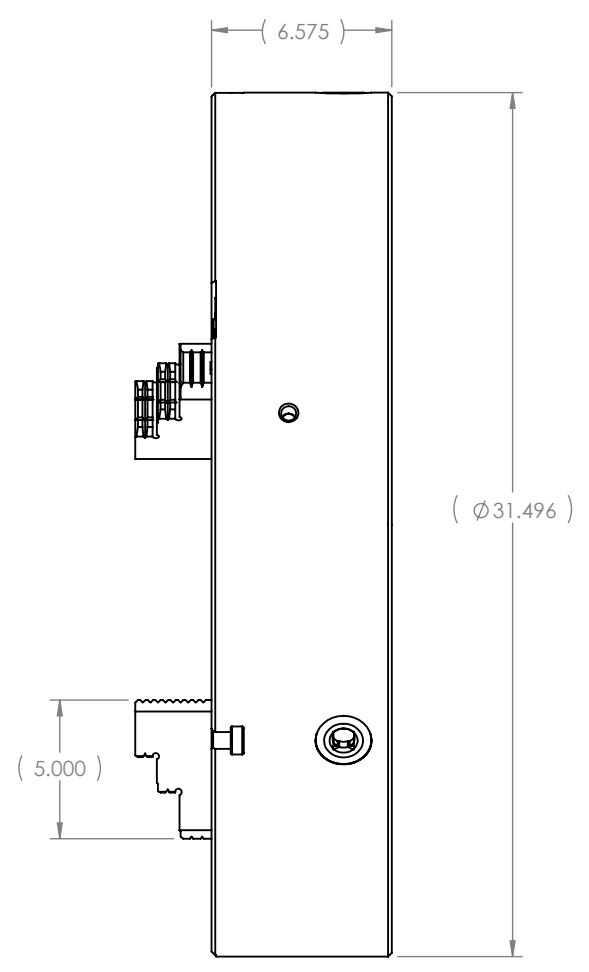
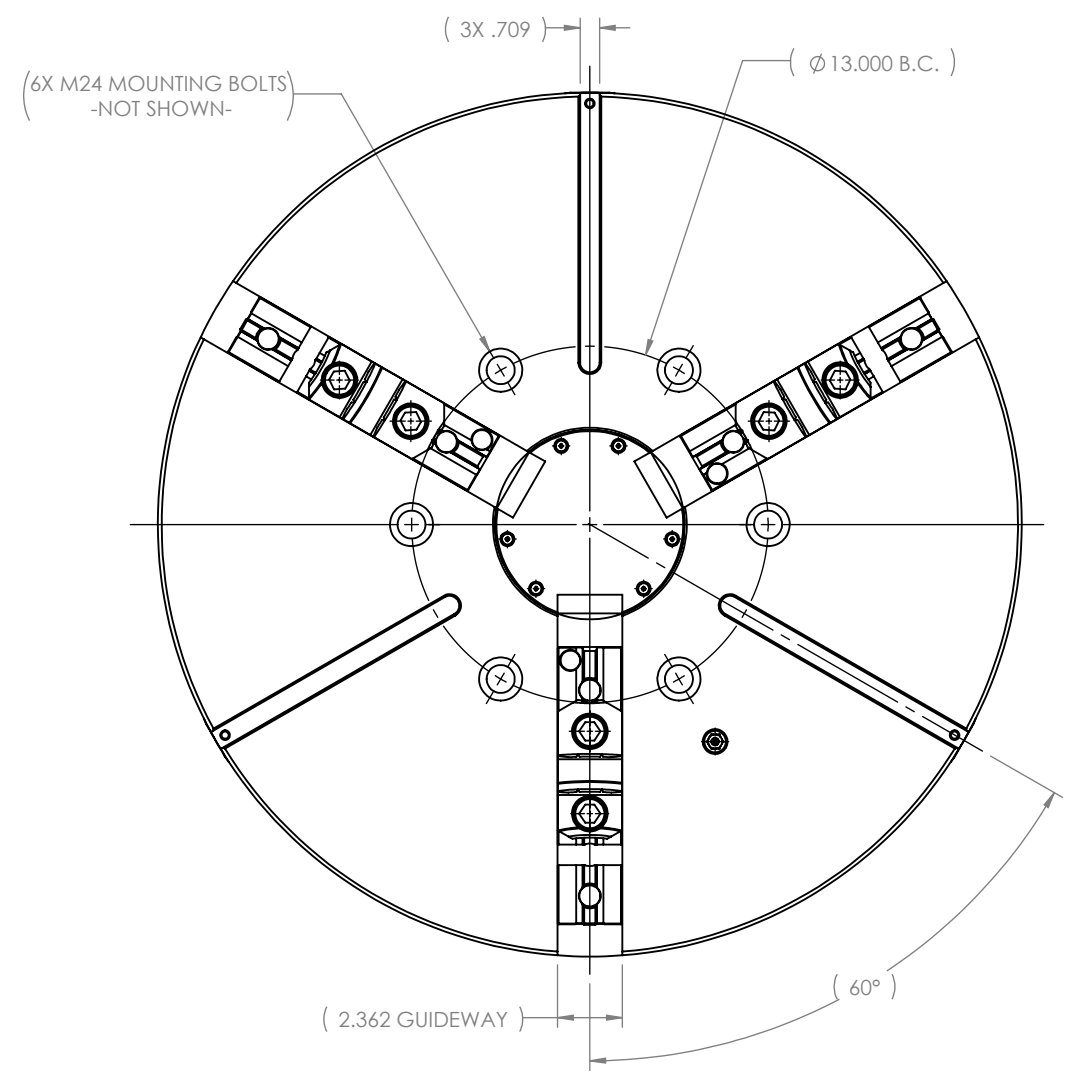
A

D

C

B

A



NOTES:
 WEIGHT: 904 LBS
 GRIPPING FORCE: 12300 daN
 MAX. SPEED: 764 RPM
 MAX. TORQUE: 80 daNm
 MIN. CLAMPING RANGE: 7.09
 MAX. CLAMPING RANGE: 31.50

| | | | | | | |
|---|---------|---------------------------|---|--|--------------------|----------|
| MATERIAL: FORGED STEEL | NAME | DATE | TOOLMEX™ SOLE PROPERTY OF TOOLMEX INDUSTRIAL SOLUTIONS | | | |
| HARDNESS: | FINISH: | DRAWN T. THACH 08-28-2020 | | | | |
| CONTACT INFORMATION: Toll Free 855-869-2425 Fax 508-653-5110 www.toolmex.com | | | | TITLE | | |
| 34 TALBOT ROAD NORTH BOROUGH, MA 01532 USA | | | | 3 JAWS (2-PC) SCROLL VTL CHUCK, 32IN (800mm) | | |
| INTERPRET GEOMETRIC TOLERANCING PER: Y1999-2001 | | | SALES APPR. | SIZE | DWG. NO. | REV |
| THIRD ANGLE PROJECTION | | | CONFIDENTIAL THIS DRAWING AND THESE SPECIFICATIONS ARE THE SOLE PROPERTY OF TOOLMEX INDUSTRIAL SOLUTIONS, AND SHALL NOT BE REPRODUCED, OR COPIED IN PART OR AS A WHOLE WITHOUT THE EXPRESS WRITTEN PERMISSION OF TOOLMEX INDUSTRIAL SOLUTIONS IS PROHIBITED. | B | 3-826-3200P | A |
| | | | | UNITS IN MILLIMETER | | |
| | | | | DO NOT SCALE DRAWING | SHEET 1 OF 1 | |

8 7 6 5 4 3 2 1