

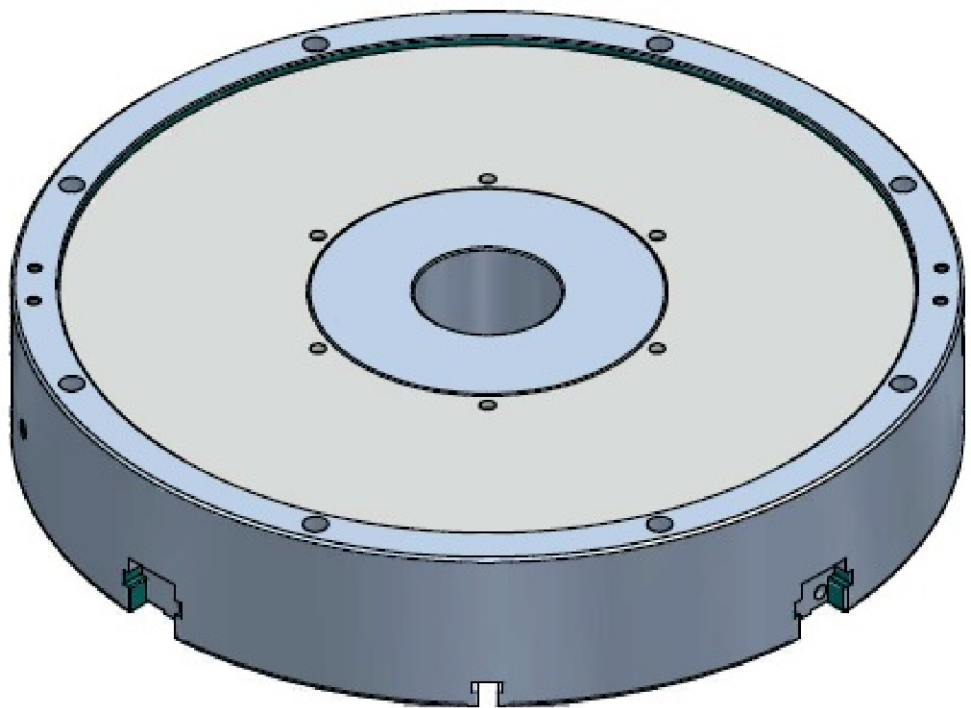
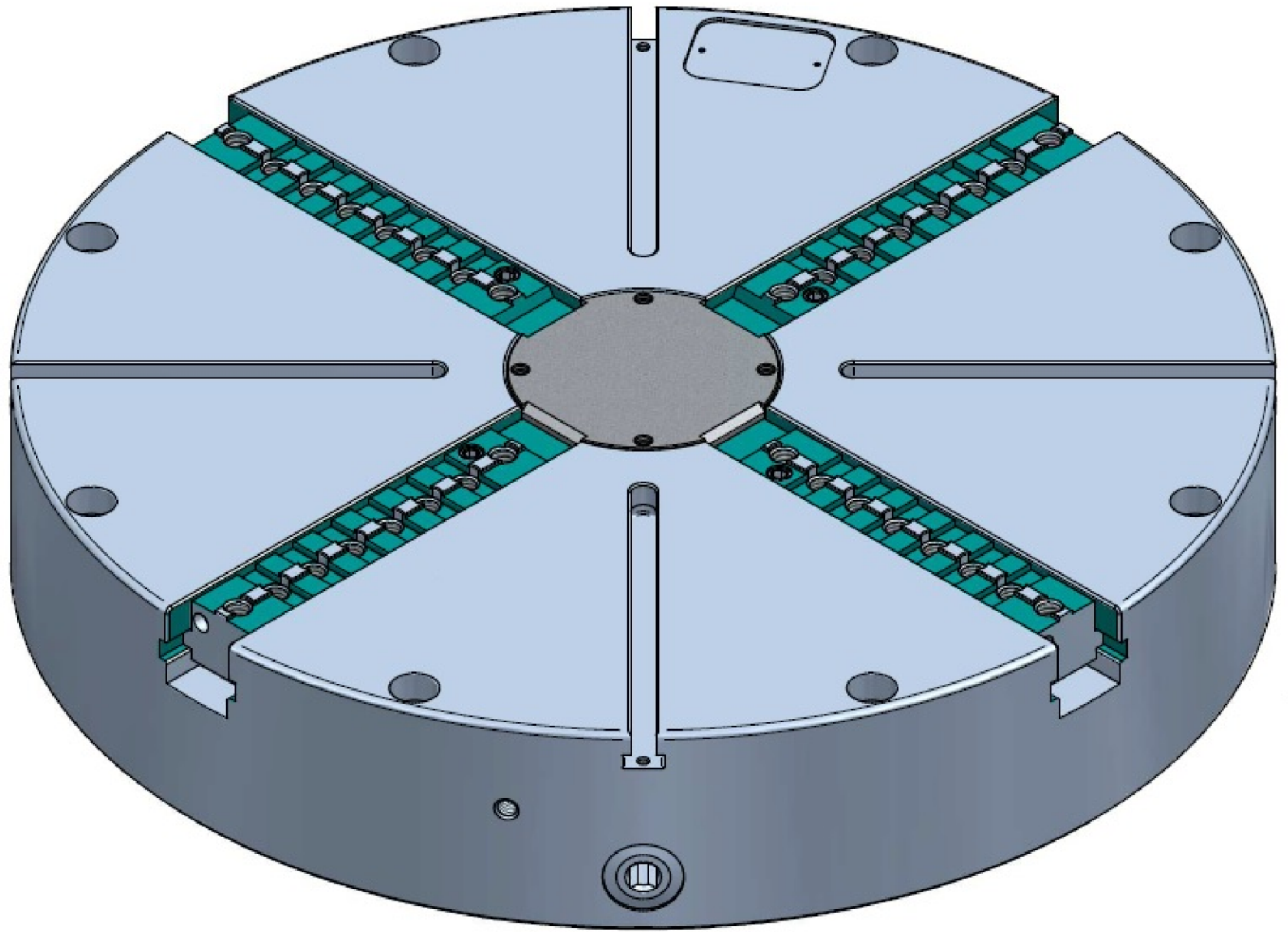




MATERIAL: STEEL	NAME	DATE	 TOOLMEX™ SOLE PROPERTY OF TOOLMEX INDUSTRIAL SOLUTIONS
HARDNESS:	WEIGHT:	DRAWN T. THACH	
UNLESS OTHERWISE SPECIFIED: DIMENSIONS ARE IN MILLIMETERS TOLERANCES: .X ±0.25 .XX ±0.12 ANGULARITY: ±0°30'			TITLE
INTERPRET GEOMETRIC TOLERANCING PER: Y1999-2001			VTL CHUCK, 900mm
			SIZE DWG. NO. REV B 3-842-3600P PRE
CONFIDENTIAL THIS DRAWING AND THESE SPECIFICATIONS ARE THE SOLE PROPERTY OF TOOLMEX INDUSTRIAL SOLUTIONS, AND SHALL NOT BE REPRODUCED, OR COPIED IN PART OR AS A WHOLE WITHOUT THE EXPRESS WRITTEN PERMISSION OF TOOLMEX INDUSTRIAL SOLUTIONS IS PROHIBITED.			DO NOT SCALE DRAWING SHEET 1 OF 2

8 7 6 5 4 3 2 1

TECHNICAL SPECIFICATIONS	
Torque on key	80 DaNm
Gripping force	11500 DaN
Material	Steel F-114
Max. Speed Rotation	679 r.p.m



MATERIAL: STEEL	NAME	DATE	 TOOLMEX™ SOLE PROPERTY OF TOOLMEX INDUSTRIAL SOLUTIONS
HARDNESS:	WEIGHT:	DRAWN T. THACH 07-07-2022	
UNLESS OTHERWISE SPECIFIED: DIMENSIONS ARE IN MILLIMETERS TOLERANCES: .X ±0.25 .XX ±0.12 ANGULARITY: ±0°30'		ENG APPR.	TITLE
INTERPRET GEOMETRIC TOLERANCING PER: Y1999-2001		MFG APPR.	VTL CHUCK, 900mm
		Q.A. APPR.	SIZE DWG. NO. REV
CONFIDENTIAL THIS DRAWING AND THESE SPECIFICATIONS ARE THE SOLE PROPERTY OF TOOLMEX INDUSTRIAL SOLUTIONS, AND SHALL NOT BE REPRODUCED, OR COPIED IN PART OR AS A WHOLE WITHOUT THE EXPRESS WRITTEN PERMISSION OF TOOLMEX INDUSTRIAL SOLUTIONS IS PROHIBITED.		SALES APPR.	B 3-842-3600P PRE
			DO NOT SCALE DRAWING SHEET 2 OF 2

8 7 6 5 4 3 2 1