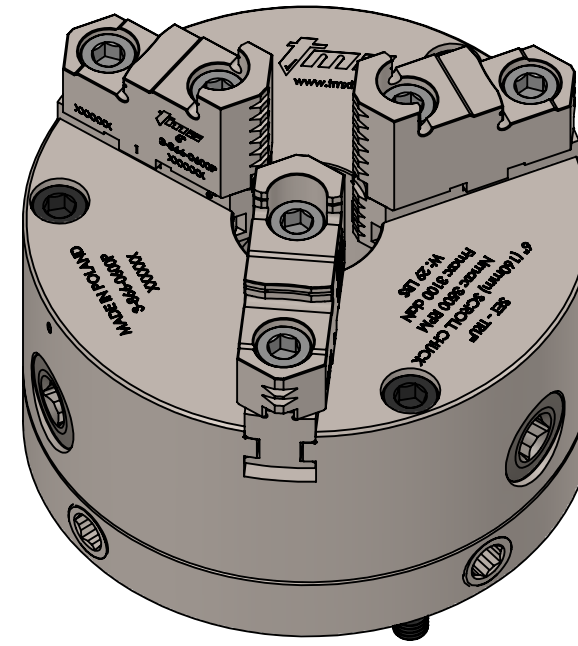
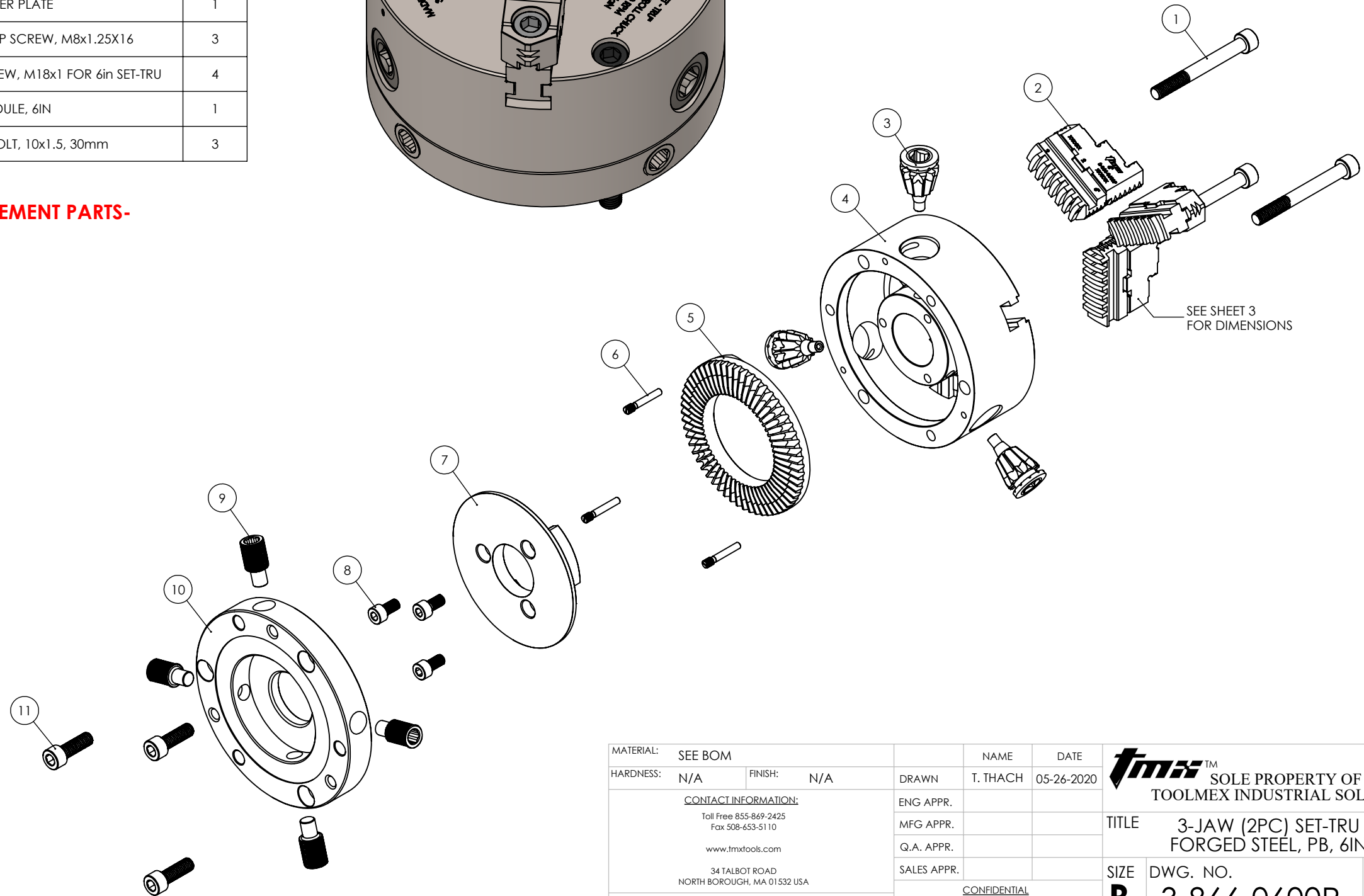


ITEM NO.	PART NUMBER	DESCRIPTION	QTY.
1	3-897-10090	MOUNTING BOLT, 10x1.5, 90mm	3
2	JAWS SET	JAWS SET, 6IN, 3-JAW 3-PIECE SET	3
3	3-886-306P	PINION FOR 6IN SCROLL CHUCK	3
4	BODY	CHUCK BODY, 6IN	1
5	3-887-306P	SCROLL PLATE FOR 6IN CHUCK	1
6	3-888-906P	PINION SCREW FOR 5IN&6IN CHUCK	3
7	PLATE	COVER PLATE	1
8	SCREW	SOCKET HEAD CAP SCREW, M8x1.25X16	3
9	3-897-606P	FINE ADJUSTMENT SCREW, M18x1 FOR 6in SET-TRU	4
10	MODULE	MODULE, 6IN	1
11	3-897-10030	MOUNTING BOLT, 10x1.5, 30mm	3



-CLICK ON LINK BELOW FOR REPLACEMENT PARTS-

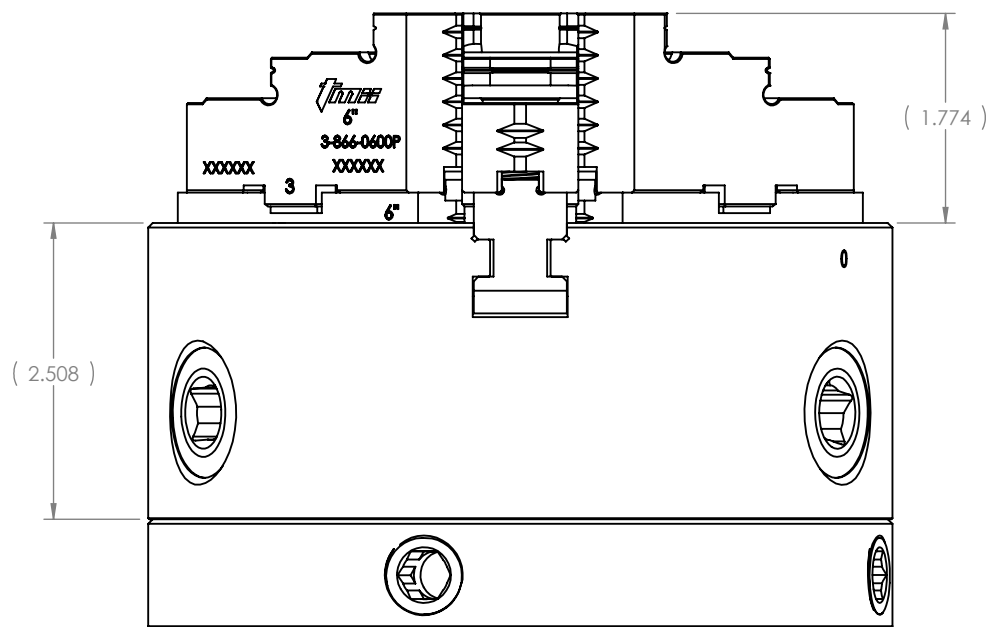
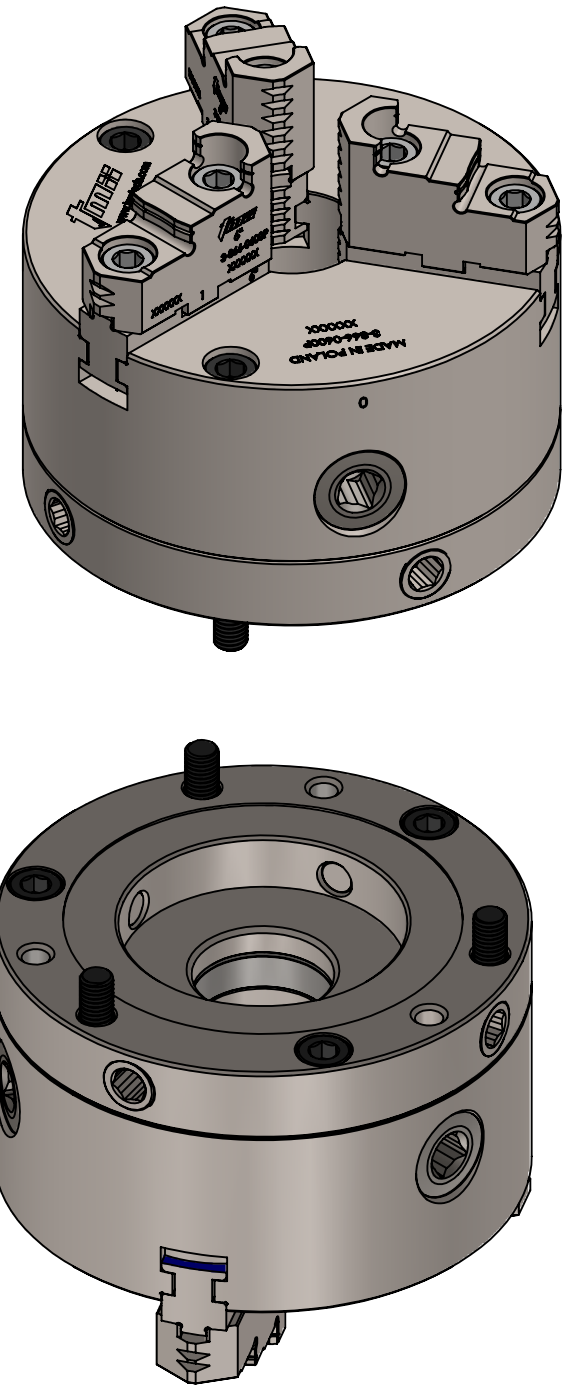
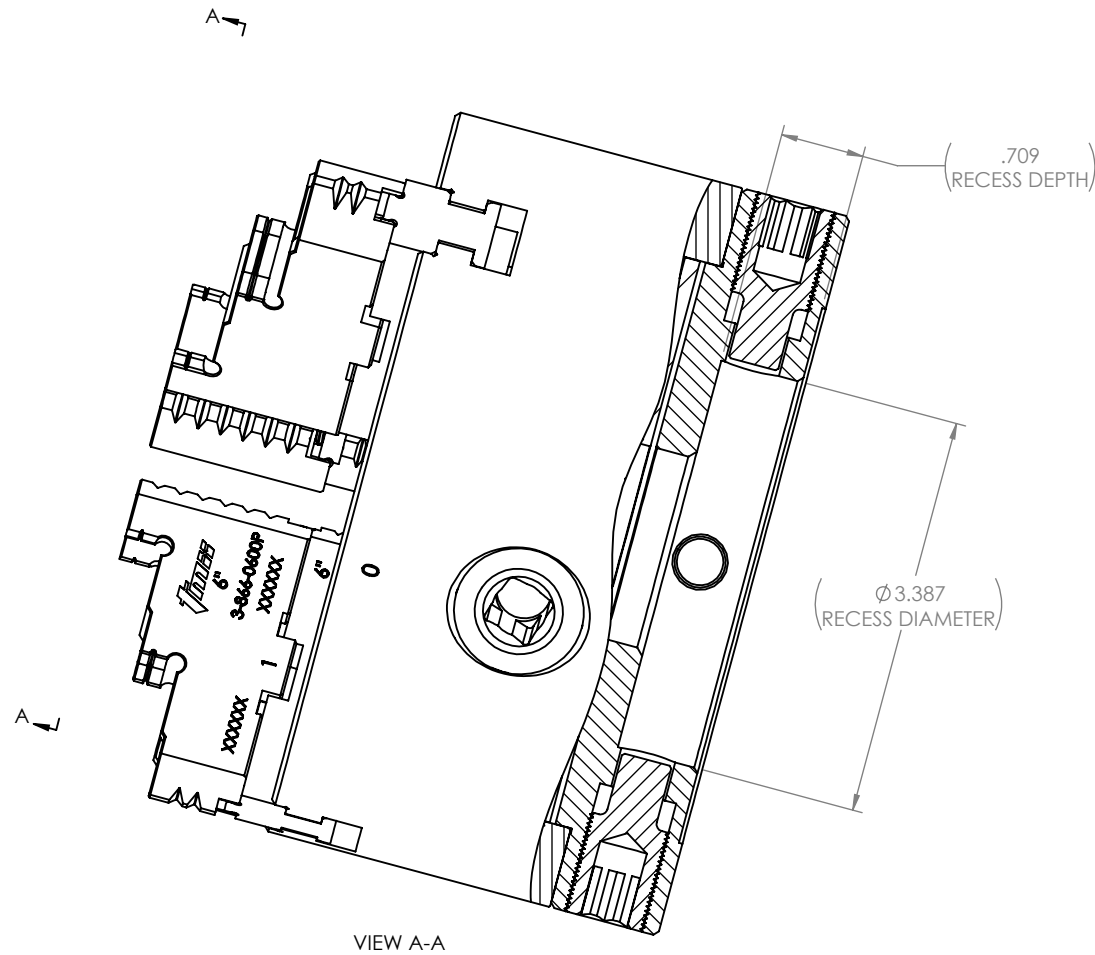
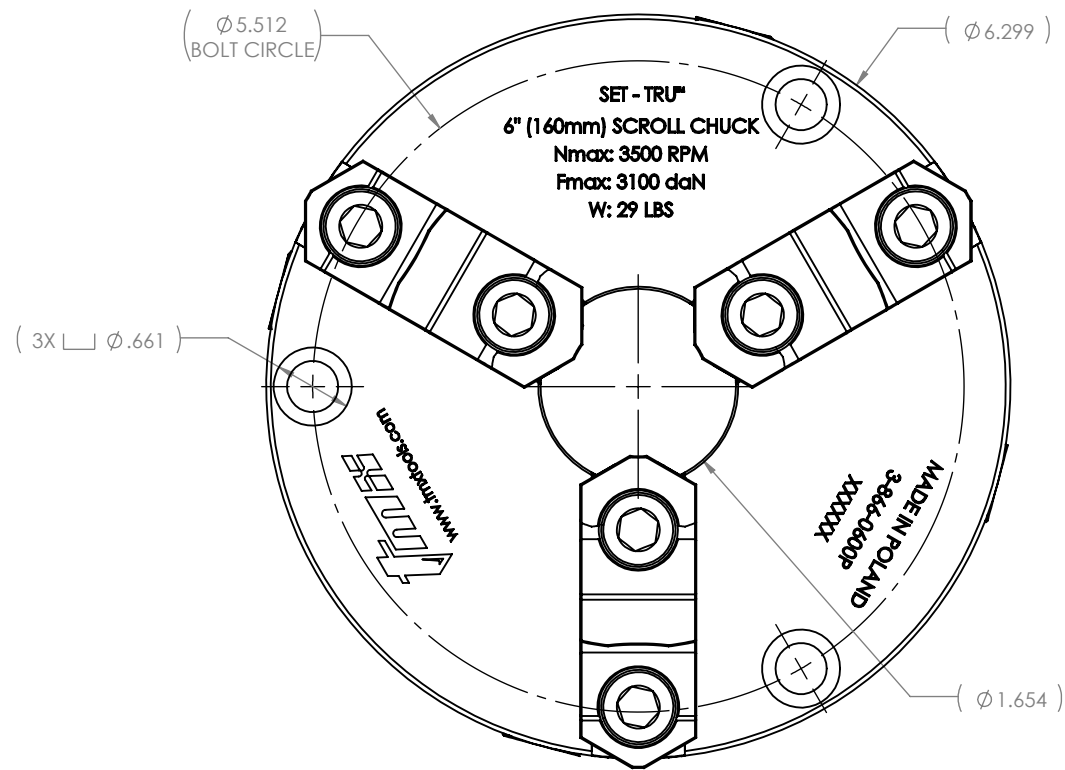
WWW.TOOLMEX.COM



SELLING UNIT: EACH
 CHUCK TYPE: SET-TRU SCROLL
 CHUCK SIZE: 6IN
 BODY MATERIAL: FORGED STEEL
 NUMBER OF JAWS: 3
 JAW TYPE: 2 PIECES
 WEIGHT: 29 LBS
 MOUNT TYPE: FRONT
 GRIPPING FORCE: 3100 daN
 SPEED: 3500 RPM Max.

MATERIAL:	SEE BOM	NAME	T. THACH	DATE	05-26-2020
HARDNESS:	N/A	FINISH:	N/A	DRAWN	
CONTACT INFORMATION:		ENG APPR.		TOOLMEX INDUSTRIAL SOLUTIONS SOLE PROPERTY OF TOOLMEX INDUSTRIAL SOLUTIONS	
Toll Free 855-869-2425 Fax 508-653-5110		MFG APPR.		TITLE 3-JAW (2PC) SET-TRU FORGED STEEL, PB, 6IN	
www.toolmex.com		Q.A. APPR.		SIZE	DWG. NO.
34 TALBOT ROAD NORTH BOROUGH, MA 01532 USA		SALES APPR.		B	3-866-0600P
INTERPRET GEOMETRIC TOLERANCING PER: Y1999-2001		CONFIDENTIAL THIS DRAWING AND THESE SPECIFICATIONS ARE THE SOLE PROPERTY OF TOOLMEX INDUSTRIAL SOLUTIONS, AND SHALL NOT BE REPRODUCED, OR COPIED IN PART OR AS A WHOLE WITHOUT THE EXPRESS WRITTEN PERMISSION OF TOOLMEX INDUSTRIAL SOLUTIONS IS PROHIBITED.		REV	B
 THIRD ANGLE PROJECTION		UNITS IN INCH		DO NOT SCALE DRAWING	
				SHEET 1 OF 3	

8 7 6 5 4 3 2 1

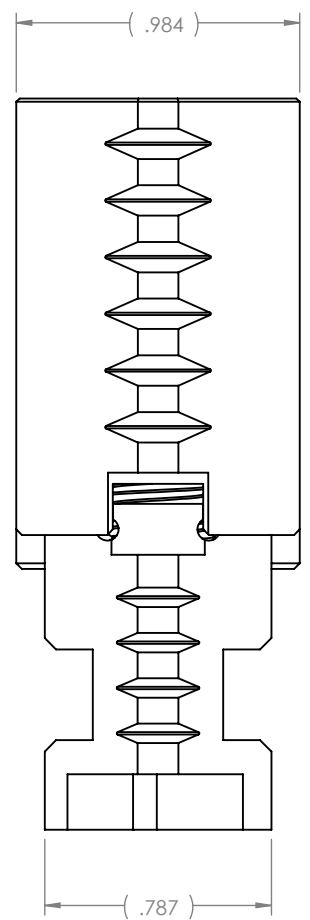
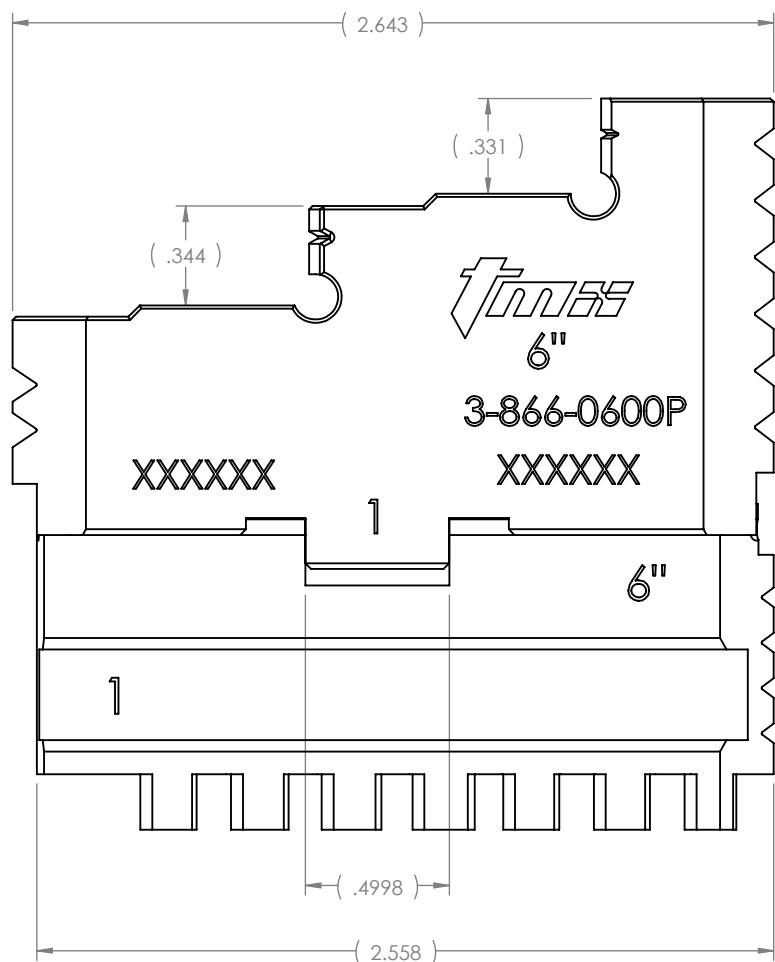
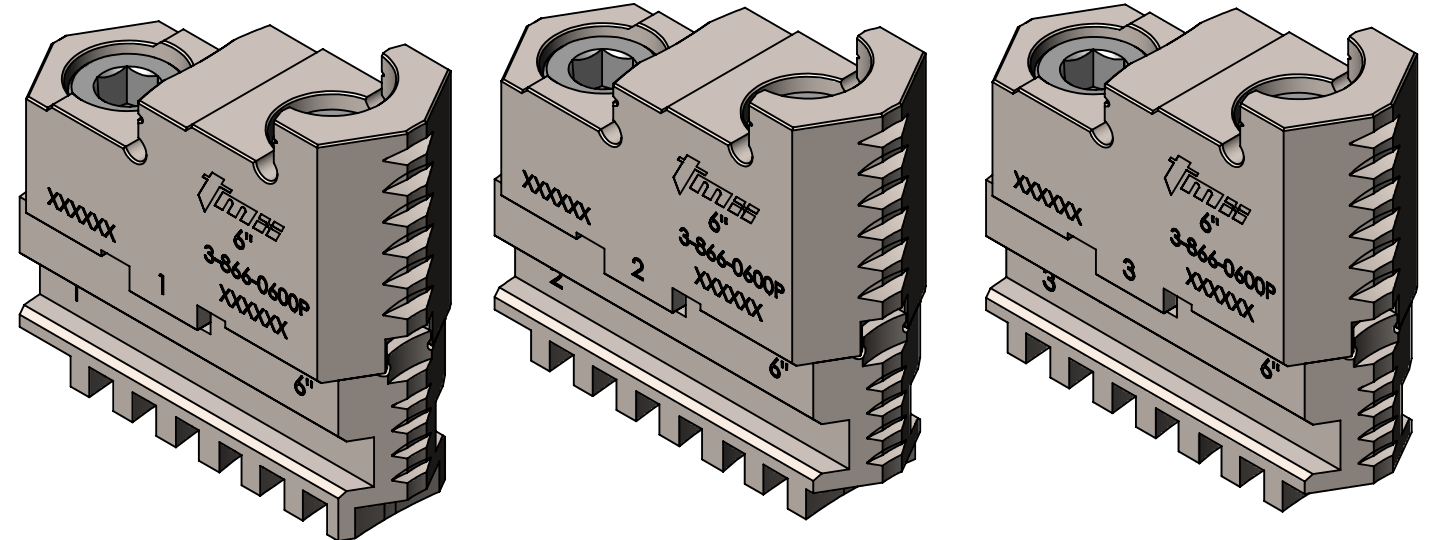
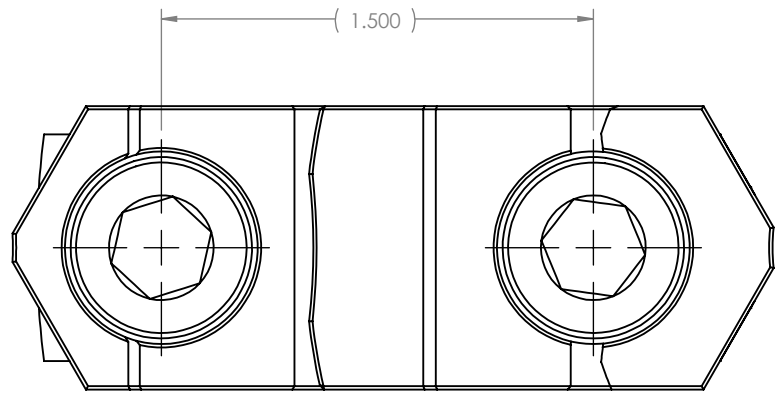


-FOR CLARIFICATION PURPOSES, MOUNTING BOLTS ARE NOT SHOWN-

MATERIAL:	SEE BOM	NAME	T. THACH	DATE	05-26-2020
HARDNESS:	N/A	FINISH:	N/A	DRAWN	T. THACH
CONTACT INFORMATION:			ENG APPR.		
Toll Free 855-869-2425			MFG APPR.		
Fax 508-653-5110			Q.A. APPR.		
www.tmxtools.com			SALES APPR.		
34 TALBOT ROAD			CONFIDENTIAL THIS DRAWING AND THESE SPECIFICATIONS ARE THE SOLE PROPERTY OF TOOLMEX INDUSTRIAL SOLUTIONS, AND SHALL NOT BE REPRODUCED, OR COPIED IN PART OR AS A WHOLE WITHOUT THE EXPRESS WRITTEN PERMISSION OF TOOLMEX INDUSTRIAL SOLUTIONS IS PROHIBITED.		
NORTH BOROUGH, MA 01532 USA					
INTERPRET GEOMETRIC TOLERANCING PER: Y1999-2001			TITLE 3-JAW (2PC) SET-TRU FORGED STEEL, PB, 6IN SIZE DWG. NO. B 3-866-0600P REV B		
THIRD ANGLE PROJECTION			UNITS IN INCH DO NOT SCALE DRAWING SHEET 2 OF 3		

8 7 6 5 4 3 2 1

8 7 6 5 4 3 2 1



-CLICK ON LINKS BELOW FOR REPLACEMENT PARTS-

3-883-306P, HARD TOP JAWS, 6IN, 3-JAW 3 PC SET

3-885-306P, HARD MASTER JAWS, 6IN, 3-JAW 3 PC SET

-FOR CLARIFICATION PURPOSES, CHUCK BODY IS NOT SHOWN-

MATERIAL:	SEE BOM	NAME	T. THACH	DATE	05-26-2020
HARDNESS:	N/A	FINISH:	N/A	DRAWN	
CONTACT INFORMATION: Toll Free 855-869-2425 Fax 508-653-5110 www.tmxtools.com 34 TALBOT ROAD NORTH BOROUGH, MA 01532 USA			ENG APPR.		
INTERPRET GEOMETRIC TOLERANCING PER: Y1999-2001			MFG APPR.		
THIRD ANGLE PROJECTION			Q.A. APPR.		
CONFIDENTIAL THIS DRAWING AND THESE SPECIFICATIONS ARE THE SOLE PROPERTY OF TOOLMEX INDUSTRIAL SOLUTIONS, AND SHALL NOT BE REPRODUCED, OR COPIED IN PART OR AS A WHOLE WITHOUT THE EXPRESS WRITTEN PERMISSION OF TOOLMEX INDUSTRIAL SOLUTIONS IS PROHIBITED.			SALES APPR.		
TITLE 3-JAW (2PC) SET-TRU FORGED STEEL, PB, 6IN				SIZE	REV
DWG. NO. B 3-866-0600P					B
UNITS IN INCH					
DO NOT SCALE DRAWING				SHEET 3 OF 3	

8 7 6 5 4 3 2 1