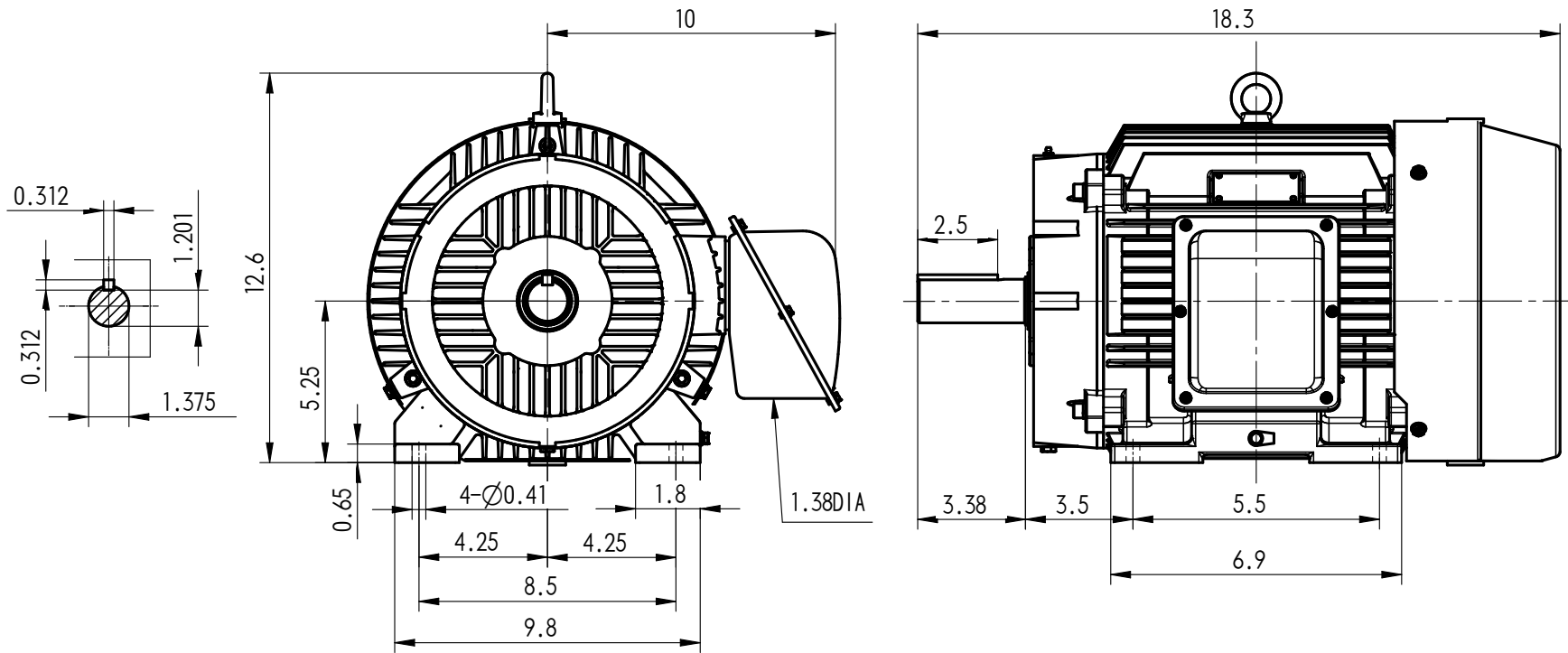


inch



FRAME **213T Footed**